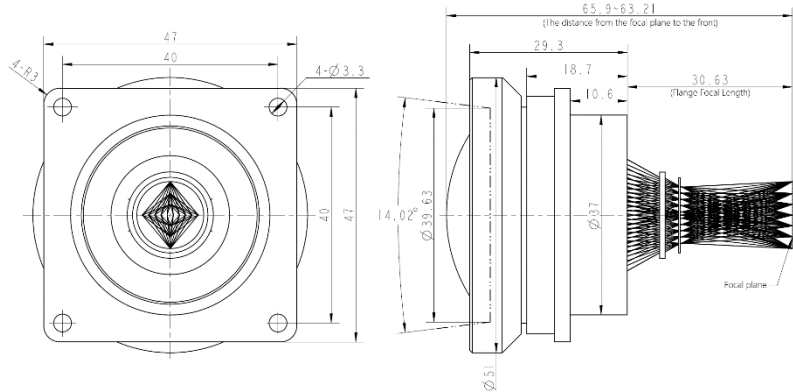


## GMS5020IA 50mm f/2.0 MWIR for cooled cameras



HFOV	160x120	320x240	336x256	384x288	640x480	640x512	1024x768	1280x1024
	15 $\mu$ m						11.0°	

### Optical

Focal Length(mm)	50
F/#	2.0
Wavelength	3.7-4.8 $\mu$ m
Focus Range	5m-Infinity

### Mechanical

Interface	Flange
Focus Mechanism	Manual
Dimensions (mm)	$\phi$ 51x29.3
Weight	89.1g

### Environmental

Front Infrared Lens Sealing	IP67
External Coating	AR