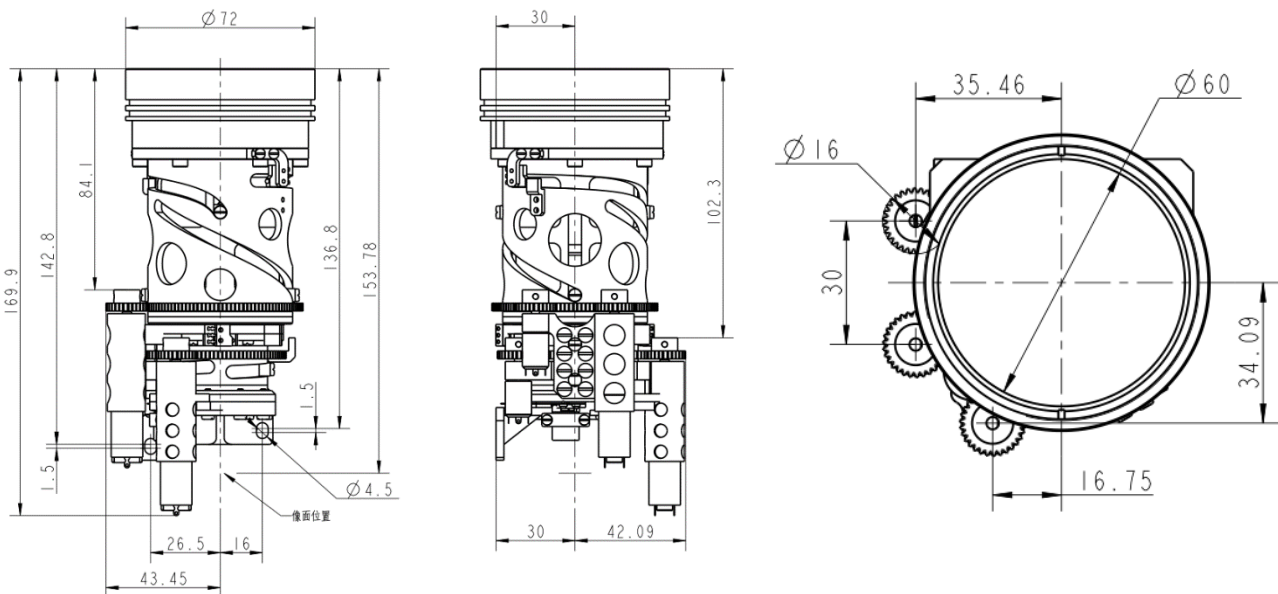


GMZ24040IA 30-240mm f/4.0 MWIR Continuous Zoom Infrared Lens



| HFOV | 160x120 | 320x240 | 336x256 | 384x288 | 640x480 | 640x512 | 1024x768 | 1280x1024 |
|------|-----------|-----------|-----------|----------|------------|------------|----------|-----------|
| 15μm | 0.6°-4.6° | 1.1°-9.1° | 1.2°-9.6° | 1.4°-11° | 2.3°-18.2° | 2.3°-18.2° | | |

Optical

| | |
|------------------|---------------|
| Focal Length(mm) | 30 - 240 |
| F/# | 4.0 |
| Wavelength | 3-5μm |
| Image Range | 10m -Infinity |

Mechanical

| | |
|-----------------|-----------|
| Interface | Flange |
| Focus Mechanism | Motorized |
| Dimensions (mm) | Ø72x169.9 |
| Weight | 651g |

Electrical & Communications

| | |
|----------------|-------|
| Power Input | DC12V |
| Communications | NA |

Environmental

| | |
|-----------------------------|----------------|
| Operating Temperature | -40°C to +60°C |
| Storage Temperature | -40°C to +80°C |
| Front Infrared Lens Sealing | IP67 |
| External Coating | AR |