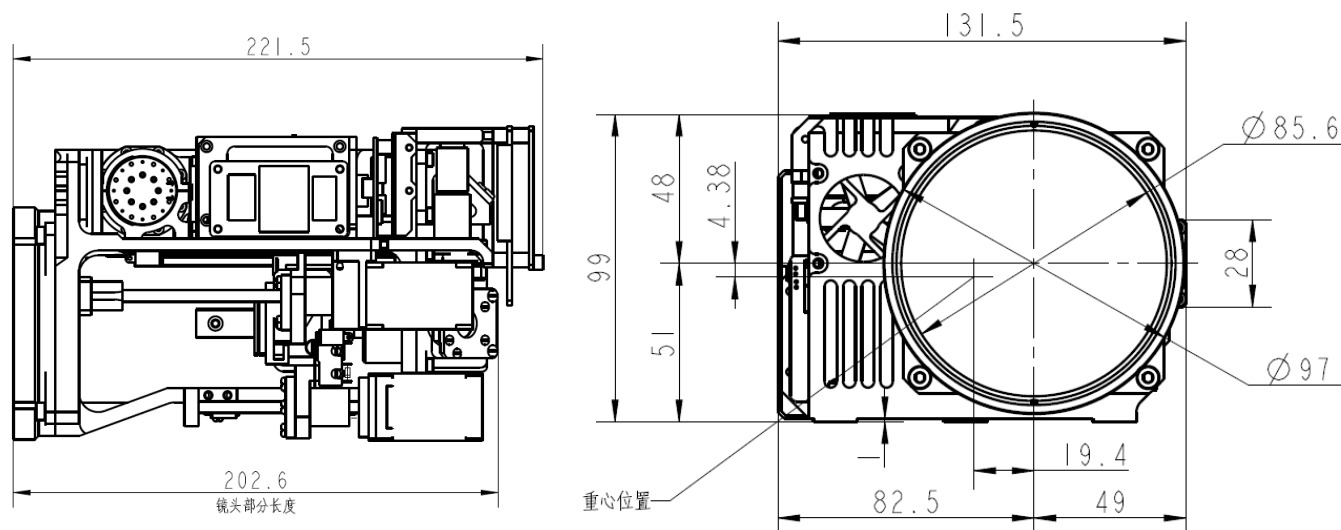


GMZ45055UA 23-450mm f/5.5 MWIR Continuous Zoom Infrared Lens



HFOV	160x120	320x240	336x256	384x288	640x480	640x512	1024x768	1280x1024
	15μm						1.2°-23.6°	

Optical

Focal Length(mm)	23-450
F/#	5.5
Wavelength	3.7-4.8μm

Mechanical

Interface	Flange
Focus Mechanism	Motorized
Dimensions (mm)	221.5mmx 131.5mmx 99.5mm
Weight	2.6kg

Electrical & Communications

Power Input	DC12V
Communications	NA

Environmental

Operating Temperature	-40°C to +60°C
Storage Temperature	-40°C to +80°C
Front Infrared Lens Sealing	IP67
External Coating	AR