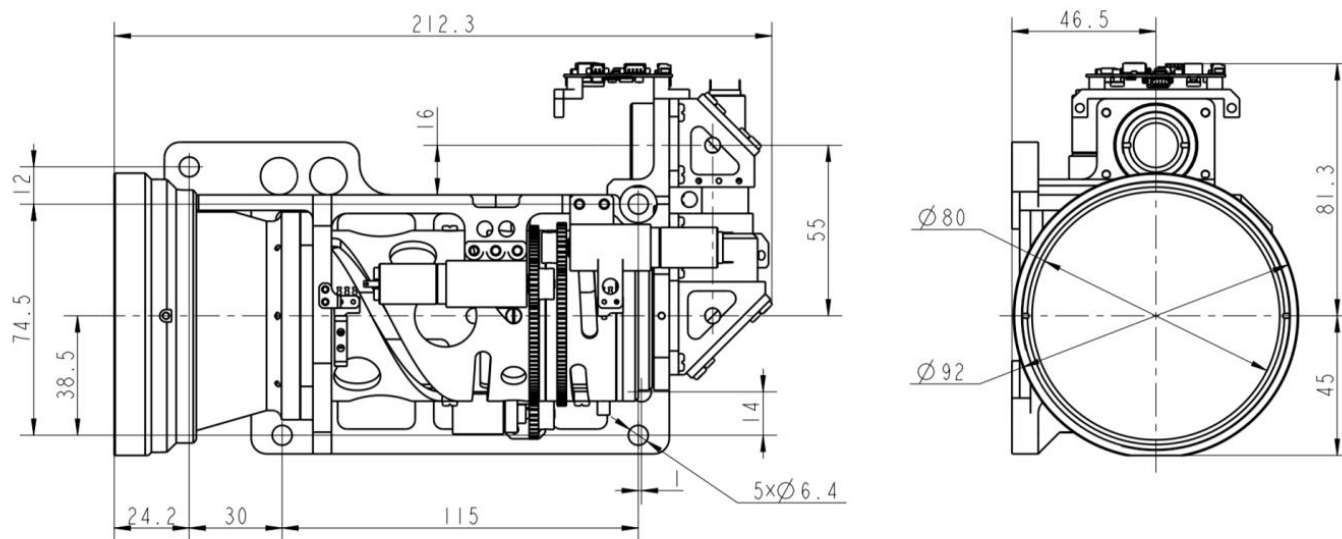


GMZ33040UA 50-330mm f/4.0 MWIR Continuous Zoom Infrared Lens



HFOV	160x120	320x240	336x256	384x288	640x480	640x512	1024x768	1280x1024
15µm	0.4°-2.7°	0.8°-5.5°	0.9°-5.8°	1°-6.6°	1.7°-11°	1.7°-11°		

Optical

Focal Length(mm)	50-330
F/#	4.0
Wavelength	3.7-4.8µm
Focus Range	5m-Infinity/20m-Infinity

Mechanical

Interface	Flange
Focus Mechanism	Motorized
Dimensions (mm)	Ø212.3x92x126.3
Weight	1.4kg

Electrical & Communications

Power Input	NA
Communications	NA

Environmental

Operating Temperature	-40°C to +60°C
Storage Temperature	-40°C to +80°C
Front Infrared Lens Sealing	IP67
External Coating	AR