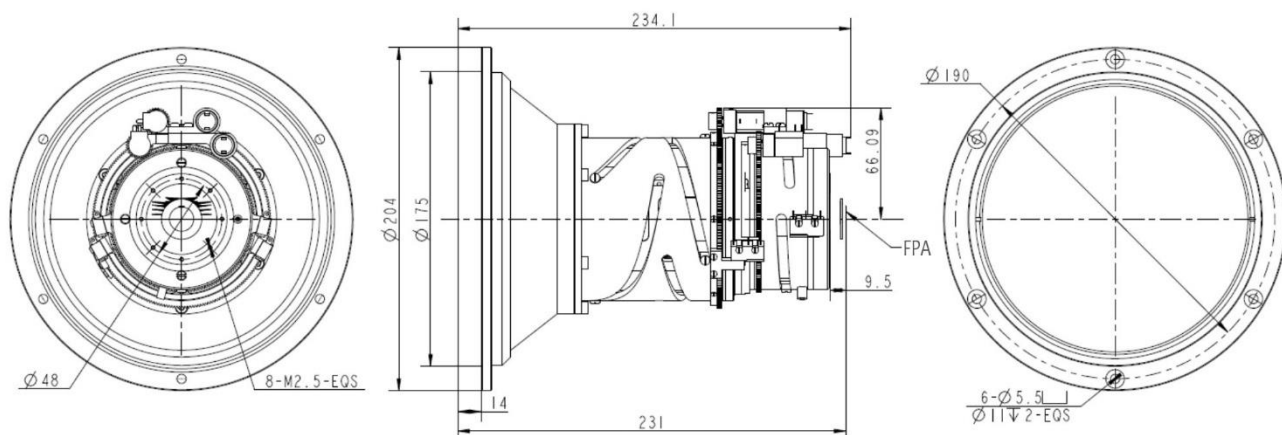


GCZ63012Z 30-180mm f/0.8-1.2 Continuous Zoom Infrared Lens



HFOV	160x120	320x240	336x256	384x288	640x480	640x512	1024x768	1280x1024
17 μ m				2.1°-12.4°	3.5°-20.6°	3.5°-20.6°		
12 μ m				1.5°-8.8°	2.4°-14.6°	2.4°-14.6°		

Optical

Focal Length	30-180mm
F/#	0.8-1.2
Wavelength	8-12 μ m

Mechanical

Focus Mechanism	Motorized
Dimensions (mm)	$\varnothing 175 \times 221.5$ (Front flange $\varnothing 204$)
Weight	<2.8kg

Electrical & Communications

Power Input	DC 12V
-------------	--------

Environmental

Sealing	IP 67
Operating Temperature	-40°C to +60°C
Storage Temperature	-45°C to +65°C
External Coating	DLC