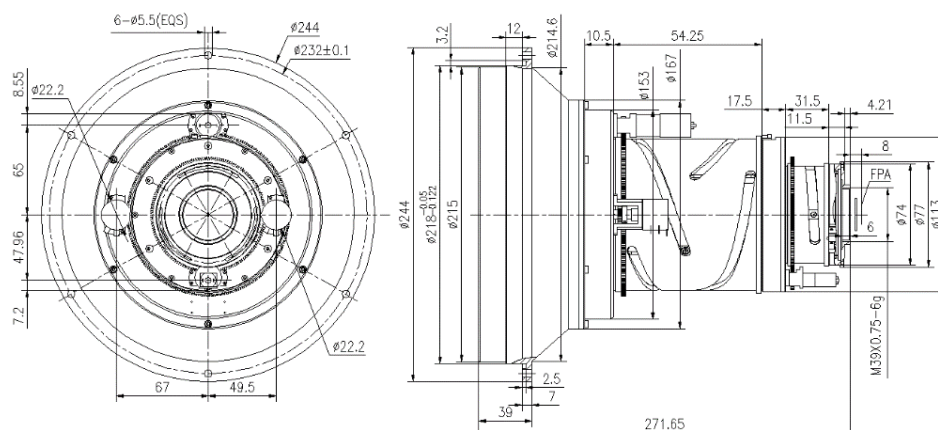


GCZ92913D 29-261mm f/0.85-1.3 Continuous Zoom Infrared Lens



HFOV	160x120	320x240	336x256	384x288	640x480	640x512	1024x768
12μm		0.8°-7.6°					
35μm				2.9°-26.1°			
25μm		1.8°-15.7°		2.1°-18.8°			
17μm			1.3°-11.2°			2.4°-21.2°	3.8°-33.4°

Optical

Focal Length(mm)	29-261mm 9X Continuous Zoom
F/#	0.85-1.3
Wavelength	8-12μm
Focus Range	5m-Infinity
Format	Ø14

Mechanical

Focus Mechanism	Motorized
Dimensions (mm)	Ø218x271.65(Front flange φ244)
Weight	<9.8kg

Electrical & Communications

Power Input	DC6-12V
Communications	NA

Environmental

Operating Temperature	-40°C to +60°C
Storage Temperature	-40°C to +80°C
Front Infrared Lens Sealing	IP67
External Coating	DLC