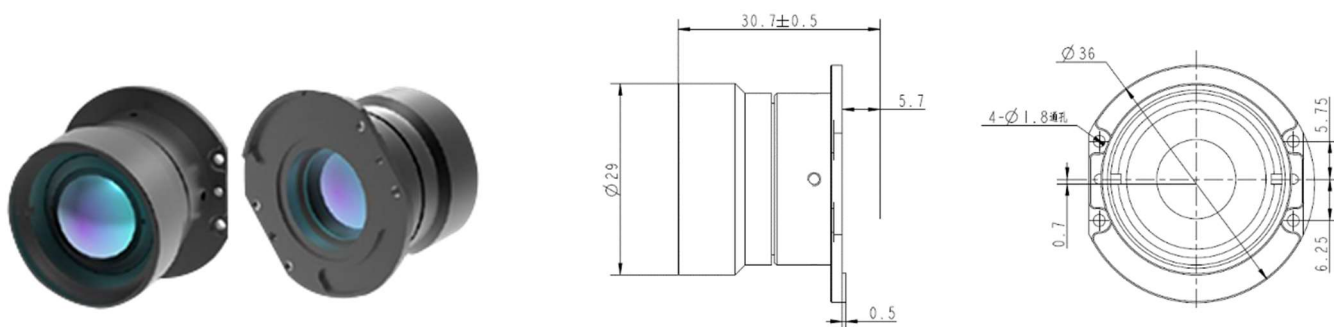


GLA2011ZA 20mm f/1.1 Optical Athermalized Infrared Lens



| HFOV | 160x120 | 320x240 | 336x256 | 384x288 | 640x480 | 640x512 | 1024x768 | 1280x1024 |
|------|---------|---------|---------|---------|---------|---------|----------|-----------|
| 25μm | 11.4 ° | 22.6 ° | 23.7 ° | 27.0 ° | | | | |
| 17μm | 7.8 ° | 15.5 ° | 16.3 ° | 18.5 ° | 30.4 ° | 30.4 ° | | |
| 12μm | 5.5 ° | 11.0 ° | 11.5 ° | 13.1 ° | 21.7 ° | 21.7 ° | | |

Optical

| | |
|-----------------------|--------|
| Focal Length | 20mm |
| F/# | 1.1 |
| Average transmittance | ≥90% |
| Wavelength | 8-12μm |

Mechanical

| | |
|-----------------|--------------------|
| Interface | Thread |
| Focus Mechanism | Fixed Athermalized |
| Dimensions (mm) | Ø29x25 |

Environmental

| | |
|-----------------------|----------------|
| Sealing | IP 67 |
| Operating Temperature | -40°C to +80°C |
| External Coating | AR |