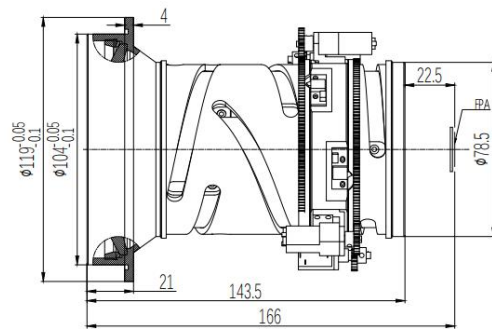
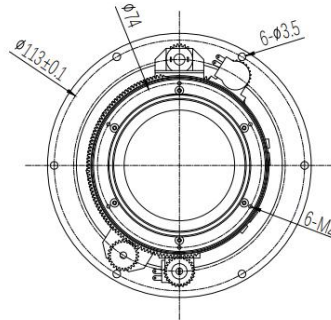


GCZ52012KD 20-100mm f/0.85-1.2 Continuous Zoom Infrared Lens



HFOV	160x120	320x240	336x256	384x288	640x480	640x512	1024x768
12 μ m		2.2°-11°					7°-34.2°
35 μ m				7.7°-37.1°			
25 μ m		4.6°-22.6°		5.5°-27°			
17 μ m			3.3°-16.3°			6.2°-30.4°	9.9°-47°

Optical

Focal Length(mm)	20-100
F/#	0.85-1.2
Wavelength	8-12 μ m
Format	$\phi 15.5$

Mechanical

Focus Mechanism	Motorized
Dimensions (mm)	$\phi 104 \times 143.5$ (Front flange $\phi 119$)
Weight	<1.24kg

Electrical & Communications

Power Input	DC 6-12V
Communications	NA

Environmental

Operating Temperature	-40°C to +60°C
Storage Temperature	-40°C to +80°C
Front Element Sealing	IP67
External Coating	DLC