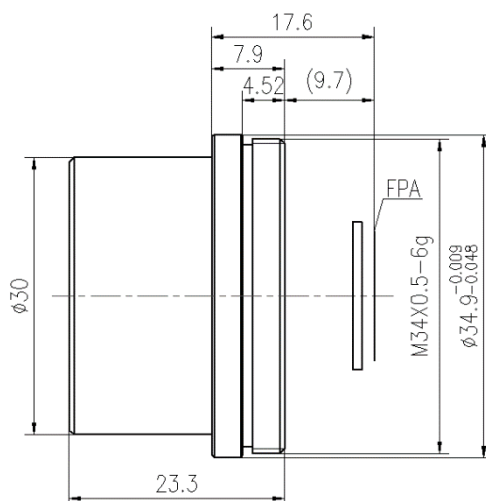


GLA1910A 19mm f/1.0 Optical Athermalized Infrared Lens



HFOV	160x120	320x240	336x256	384x288	640x480	640x512	1024x768	1280x1024
17 μ m	8.2 °	16.3 °	17.1 °	19.5 °	32.0 °	32.0 °		
12 μ m	5.8 °	11.5 °	12.1 °	13.8 °	22.9 °	22.9 °		

Optical

Focal Length	19mm
F/#	1.0
Average Transmission	>80%
Format	Ø14

Mechanical

Focus Mechanism	Fixed Athermalized
Dimensions (mm)	Ø30x23.3
Weight	<55g

Environmental

Sealing	IP 67
Operating Temperature	-40°C to +80°C
External Coating	AR