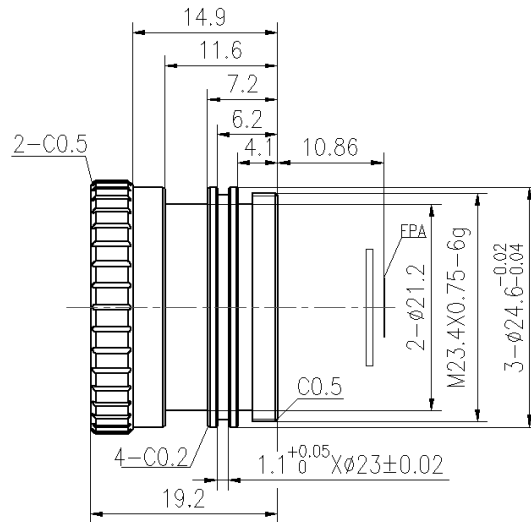


GLA2011 20mm f/1.1 Optical Athermalized Infrared Lens



HFOV	160x120	320x240	336x256	384x288	640x480	640x512	1024x768	1280x1024
12μm	5.5 °	11.0 °	11.5 °	13.1 °	21.7 °	21.7 °		

Optical

Focal Length	20mm
F/#	1.1
Wavelength	8-12μm
Format	Ø10

Mechanical

Focus Mechanism	Fixed Athermalized
Dimensions (mm)	Ø45x62.33
Weight	<18g

Environmental

Sealing	IP 67
Operating Temperature	-45°C to +55°C
Storage Temperature	-55°C to +70°C
External Coating	DLC/AR