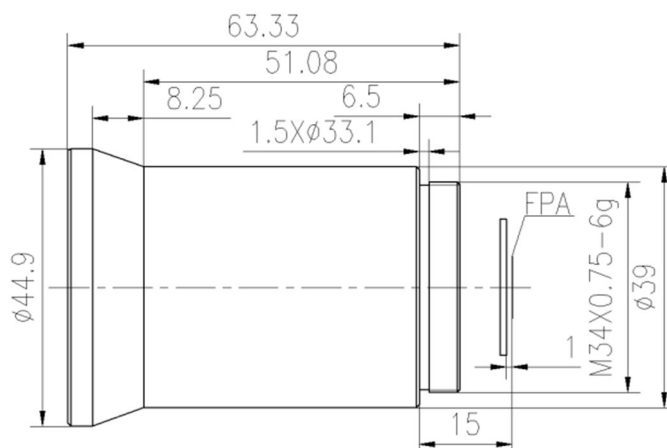


## GLA2110K 21mm f/1.0 Optical Athermalized Infrared Lens



HFOV	160x120	320x240	336x256	384x288	640x480	640x512	1024x768	1280x1024
17µm	7.4 °	14.8 °	15.5 °	17.7 °	29.0 °	29.0 °		
14µm	6.1 °	12.2 °	12.8 °	14.6 °	24.1 °	24.1 °	37.7 °	
12µm	5.2 °	10.4 °	11.0 °	12.5 °	20.7 °	20.7 °	32.6 °	40.2 °

### Optical

Focal Length	21mm
F/#	1.0
Wavelength	8-12µm
Format	Ø20

### Mechanical

Focus Mechanism	Fixed Athermalized
Dimensions (mm)	Ø44.9 x 62.33
Weight	<146.2g

### Environmental

Sealing	IP 67
Operating Temperature	-40°C to +80°C
External Coating	DLC/AR