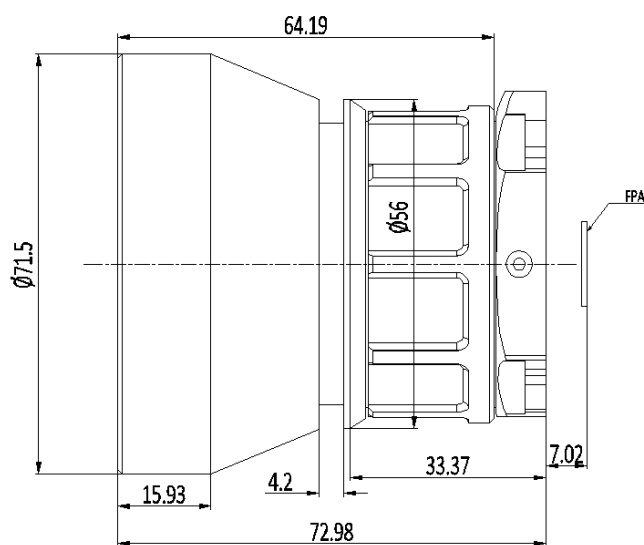


75mm f1.2 GLM7512D Manual Infrared Lens



HFOV	160x120	320x240	336x256	384x288	640x480	640x512	1024x768	1280x1024
25μm		6.1°	6.4°	7.3°				
17μm			4.4°	5.0°	8.3°	8.3°		
12μm				3.5°	5.9°	5.9°		

Optical

Focal Length	75mm
F/#	1.2
Wavelength	8-12μm
Format	Ø14

Mechanical

Focus Mechanism	Manual
Dimensions (mm)	Ø71.5 × 72.98
Weight	<320g

Environmental

Sealing	IP 67
Operating Temperature	-30°C to +70°C
External Coating	DLC