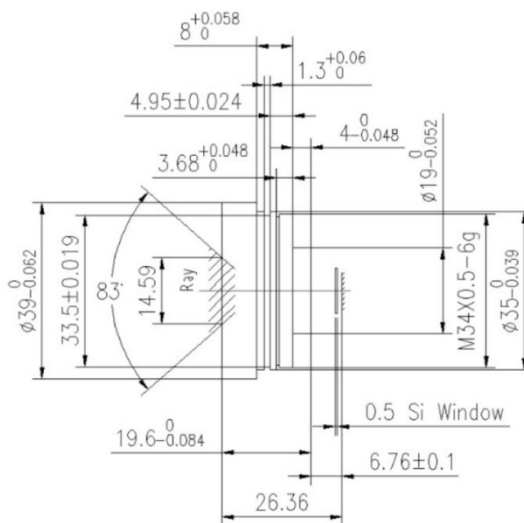


GLA04312SA 4.3mm f/1.2 Optical Athermalized Infrared Lens



HFOV	160x120	320x240	336x256	384x288	640x480	640x512	1024x768	1280x1024
17μm					74.4 °			
12μm		48.1 °						

Optical

Focal Length	4.3mm
F/#	1.2
Wavelength	8-12μm

Mechanical

Interface	Thread
Focus Mechanism	Fixed Athermalized
Dimensions (mm)	Ø39x19.6
Weight	43.2g

Environmental

Sealing	IP 67
Operating Temperature	-40°C to +60°C
External Coating	AR