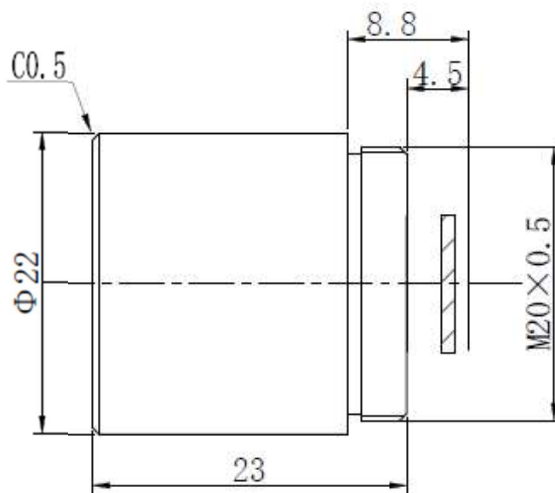


GLA13410A 13.4mm f/1.0 Optical Athermalized Infrared Lens



HFOV	160x120	320x240	336x256	384x288	640x480	640x512	1024x768	1280x1024
25μm	17.0 °	33.2 °	34.8 °	39.4 °				
17μm	11.6 °	22.9 °	24.1 °	27.4 °	44.2 °	44.2 °		
12μm	8.2 °	16.3 °	17.1 °	19.5 °	32.0 °	32.0 °		

Optical

Focal Length	13.4mm
F/#	1.0
Wavelength	8-12μm
Focus Range	1.0m-Infinity

Mechanical

Interface	Thread
Focus Mechanism	Fixed Athermalized
Dimensions (mm)	Ø22x18.5
Weight	< 23g

Environmental

Sealing	IP67
Operating Temperature	-40°C to +60°C
External Coating	AR