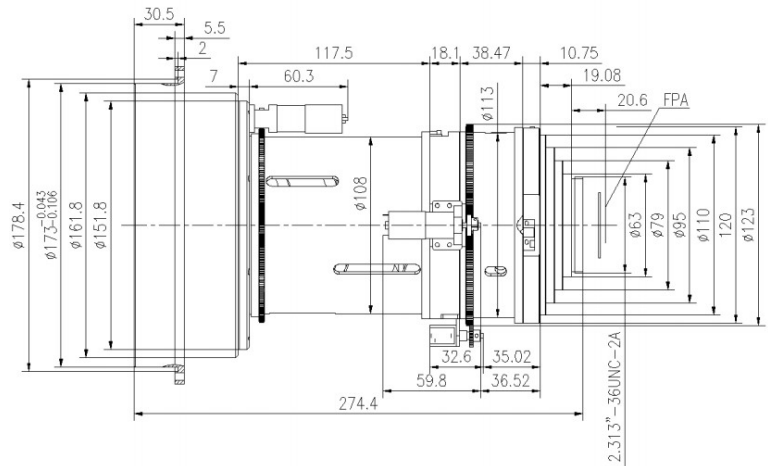


GCZ53012KD 30-150mm f/0.85-1.2 Continuous Zoom Infrared Lens



HFOV	160x120	320x240	336x256	384x288	640x480	640x512	1024x768	1280x1024
25μm	1.5°-7.6°	3.1°-15.2°	3.2°-15.9°	3.7°-18.2°	6.1°-29.9°	6.1°-29.9°		
17μm	1°-5.2°	2.1°-10.4°	2.2°-10.9°	2.5°-12.4°	4.2°-20.6°	4.2°-20.6°	6.6°-32.4°	
12μm	0.7°-3.7°	1.5°-7.3°	1.5°-7.7°	1.8°-8.8°	2.9°-14.6°	2.9°-14.6°	4.7°-23.1°	5.9°-28.7°

Optical

Focal Length(mm)	30-150
F/#	0.85-1.2
Wavelength	8-12μm
Format	Ø21.8

Mechanical

Interface	Flange
Focus Mechanism	Motorized
Dimensions (mm)	Ø173x 274.4(Front flange Ø178.4)
Weight	<4.2g

Electrical & Communications

Power Input	DC12V
Communications	NA

Environmental

Operating Temperature	-40°C to +60°C
Storage Temperature	-40°C to +80°C
Front Element Sealing	IP67
External Coating	DLC