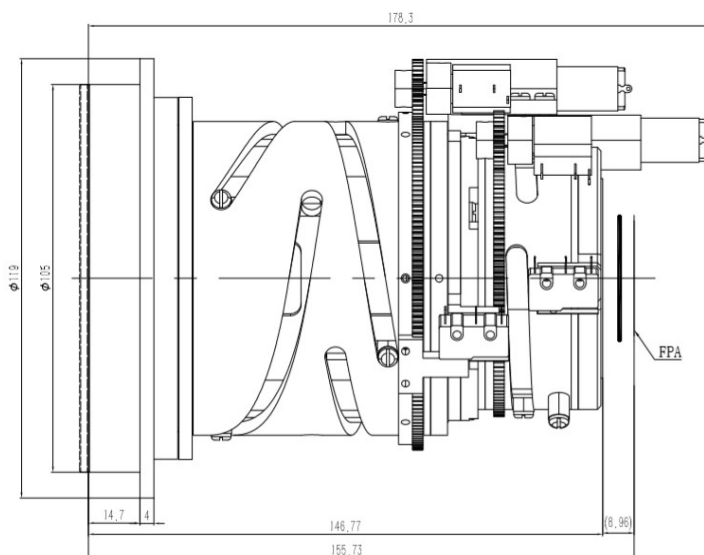


## GCZ42511ZD 25-100mm f/0.8-1.1 Continuous Zoom Infrared Lens



HFOV	160x120	320x240	336x256	384x288	640x480	640x512	1024x768	1280x1024
25μm	2.3°-9.1°	4.6°-18.2°	4.8°-19.1°	5.5°-21.7°				
17μm	1.6°-6.2°	3.1°-12.4°	3.3°-13°	3.7°-14.9°	6.2°-24.6°	6.2°-24.6°		
12μm	1.1°-4.4°	2.2°-8.8°	2.3°-9.2°	2.6°-10.5°				

### Optical

Focal Length	25-100mm
F/#	0.8-1.1
Average Transmission	80%
Wavelength	8-12μm
Focus Range	10m-Infinity

### Mechanical

Interface	Flange
Focus Mechanism	Motorized
Dimensions (mm)	Ø105x146.77(Front flange Φ118)
Weight	≤1.52kg

### Environmental

Operating Temperature	-40°C to +60°C
Storage Temperature	-50°C to +85°C
Front Element Sealing	IP67
External Coating	DLC