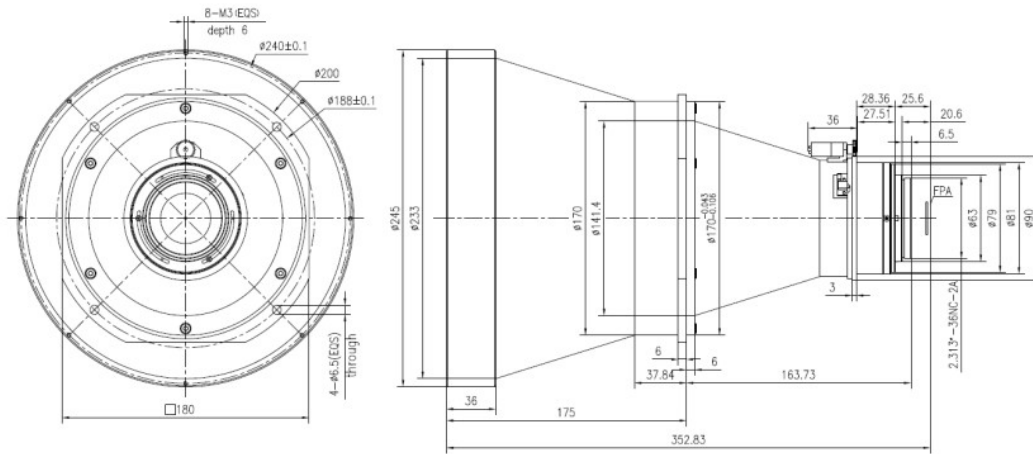


GLE30013KD 300mm f/1.3 Motorized Infrared Lens



HFOV	160x120	320x240	336x256	384x288	640x480	640x512	1024x768	1280x1024
25μm	0.8 °	1.5 °	1.6 °	1.8 °	3.1 °			
17μm	0.5 °	1.0 °	1.1 °	1.2 °	2.1 °	2.1 °	3.3 °	
12μm	0.4 °	0.7 °	0.8 °	0.9 °	1.5 °	1.5 °	2.3 °	2.9 °

Optical

Focal Length	300mm
F/#	1.3
Wavelength	8-12μm
Focus Range	30m-Infinty
Format	Ø20

Mechanical

Focus Mechanism	Motorized
Dimensions (mm)	Ø352.83x 245
Weight	<4.54kg

Electrical & Communications

Power Input	DC 6-12V
Communications	NA

Environmental

Operating Temperature	-40°C to +60°C
Storage Temperature	-50°C to +80°C
Front Element Sealing	IP67
External Coating	DLC