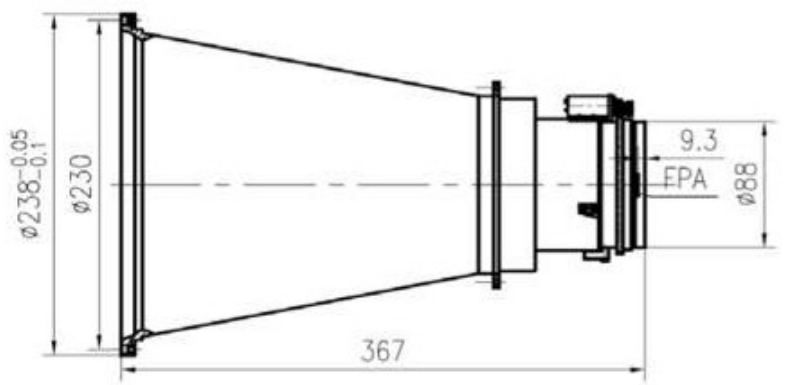


GLE250125D 250mm f/1.25 Motorized Infrared Lens



HFOV	160x120	320x240	336x256	384x288	640x480	640x512	1024x768	1280x1024
25μm	0.9 °	1.8 °	1.9 °	2.2 °				
17μm	0.6 °	1.2 °	1.3 °	1.5 °	2.5 °	2.5 °		
12μm	0.4 °	0.9 °	0.9 °	1.1 °	1.8 °	1.8 °		

Optical

Focal Length	250mm
F/#	1.25
Average Transmission	≥88%
Wavelength	8-12μm
Focus Range	20m-Infinity

Mechanical

Interface	Flange
Focus Mechanism	Motorized
Dimensions (mm)	Ø238x367
Weight	<3.8kg

Electrical & Communications

Power Input	DC 6-12V
Communications	NA

Environmental

Operating Temperature	-40°C to +60°C
Storage Temperature	-40°C to +80°C
Front Element Sealing	IP67
External Coating	DLC