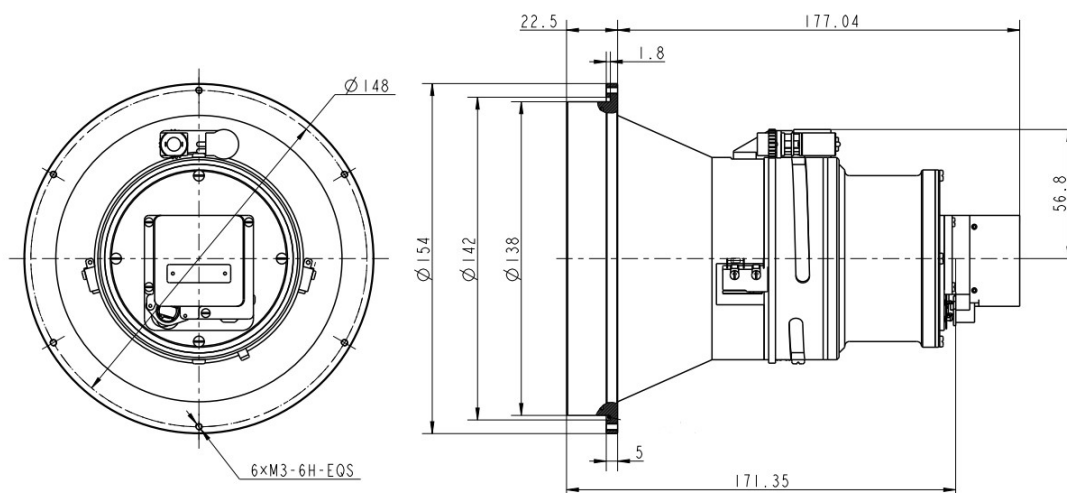


GLE15012ZK 150mm f/1.2 Motorized Infrared Lens



HFOV	160x120	320x240	336x256	384x288	640x480	640x512	1024x768	1280x1024
25μm	1.5 °	3.1 °	3.2 °	3.7 °				
14μm	0.9 °	1.7 °	1.8 °	2.1 °	3.4 °	3.4 °	5.5 °	
12μm	0.7 °	1.5 °	1.5 °	1.8 °	2.9 °	2.9 °	4.7 °	

Optical

Focal Length	150mm
F/#	1.2
Wavelength	8-12μm
Focus Range	20m-Infinty

Mechanical

Focus Mechanism	Motorized
Dimensions (mm)	Ø199.54x154
Weight	1.36kg

Electrical & Communications

Power Input	DC 9V(6-12V)
Communications	NA

Environmental

Operating Temperature	-40°C to +60°C
Storage Temperature	-50°C to +80°C
Front Element Sealing	IP67
External Coating	DLC/AR