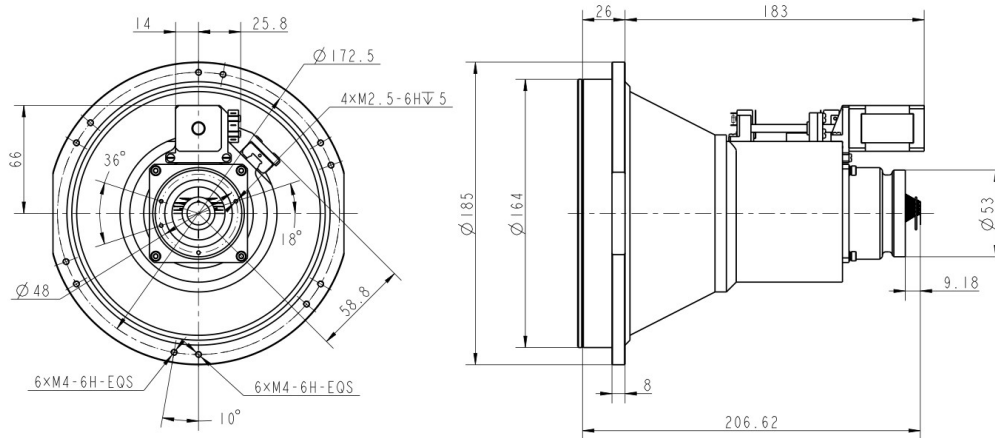


GLD60N180 60/180mm f /0.9-1.2 2-FOV Infrared Lens



| HFOV | 160x120 | 320x240 | 336x256 | 384x288 | 640x480 | 640x512 | 1024x768 | 1280x1024 |
|------|-----------|-----------|-----------|-----------|------------|------------|----------|-----------|
| 25μm | 1.3°/3.8° | 2.5°/7.6° | 2.7°/8° | 3.1°/9.1° | | | | |
| 17μm | 0.9°/2.6° | 1.7°/5.2° | 1.8°/5.5° | 2.1°/6.2° | 3.5°/10.4° | 3.5°/10.4° | | |
| 12μm | 0.6°/1.8° | 1.2°/3.7° | 1.3°/3.8° | 1.5°/4.4° | 2.4°/7.3° | 2.4°/7.3° | | |

Optical

| | |
|------------------|---------------------------|
| Focal Length(mm) | 60 /180 |
| F/# | 0.9/1.2 |
| Detector | 640x512, 17μm |
| Wavelength | 8μm-12μm |
| Focus Range | 15m-Infinity/50m-Infinity |

Mechanical

| | |
|-----------------|-----------------------|
| Focus Mechanism | Motorized Dual Vision |
| Dimensions (mm) | Ø185x206.62 |
| Weight | 2.2kg |

Electrical & Communications

| | |
|----------------|---------------|
| Power Input | DC 6-12V 0.2A |
| Communications | NA |

Environmental

| | |
|-----------------------|----------------|
| Operating Temperature | -40°C to +60°C |
| Storage Temperature | -40°C to +80°C |
| Front Element Sealing | IP67 |
| External Coating | DLC |