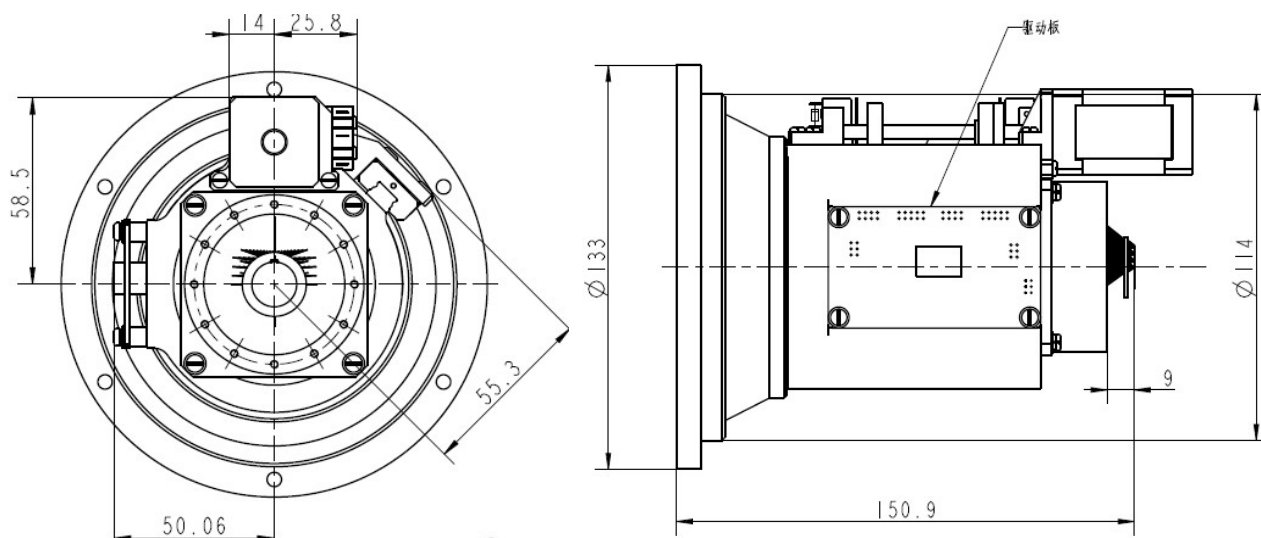


Dual FOV Infrared Lens

GLD25N100 25/100mm f0.85/1.0 2-FOV Infrared Lens



HFOV	160x120	320x240	336x256	384x288	640x480	640x512	1024x768	1280x1024
25 μ m	2.3°/9.1°	4.6°/18.2°	4.8°/19.1°	5.5°/21.7°				
17 μ m	1.6°/6.2°	3.1°/12.4°	3.3°/13°	3.7°/14.9°	6.2°/24.6°	6.2°/24.6°		
12 μ m	1.1°/4.4°	2.2°/8.8°	2.3°/9.2°	2.6°/10.5°	4.4°/17.5°	4.4°/17.5°		

Optical

Focal Length	25mm/100mm
F/#	0.85/1.0
Detector	640x512, 17 μ m
Wavelength	8-14 μ m
Focus Range	5m-Infinity

Mechanical

Focus Mechanism	Motorized Dual Vision
Dimensions (mm)	\varnothing 133x141.9
Weight	1.4kg

Electrical & Communications

Power Input	DC 6-12V 0.2A
Communications	NA

Environmental

Operating Temperature	-40°C to +60°C
Storage Temperature	-50°C to +80°C
Front Element Sealing	IP67
External Coating	DLC