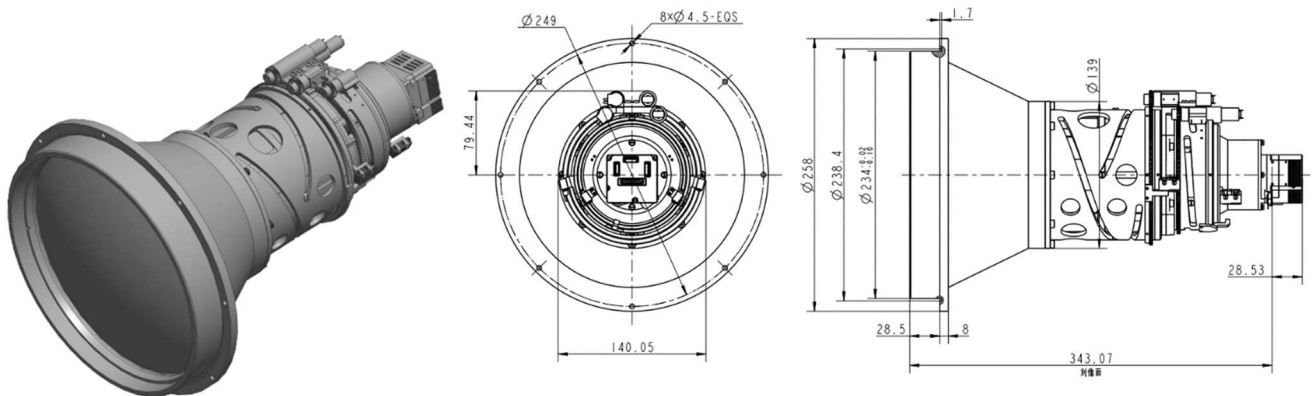


## GCZ300514K 56-300mm f/1.0-1.4 Continuous Zoom Infrared Lens



HFOV	160x120	320x240	336x256	384x288	640x480	640x512	1024x768	1280x1024
25μm	0.8°-4.1°	1.5°-8.2°	1.6°-8.6°	1.8°-9.8°				
17μm	0.5°-2.8°	1°-5.6°	1.1°-5.8°	1.2°-6.7°	2.1°-11.1°	2.1°-11.1°		
12μm	0.4°-2°	0.7°-3.9°	0.8°-4.1°	0.9°-4.7°	1.5°-7.8°	1.5°-7.8°	2.3°-12.5°	

### Optical

Focal Length(mm)	56-300
F/#	1.0-1.4
Detector	1024x768, 12μm
Wavelength	8-14μm

### Mechanical

Focus Mechanism	Motorized
Dimensions (mm)	Ø258x343.07
Weight	6kg

### Electrical & Communications

Power Input	DC 6-12V 0.15A
-------------	----------------

### Environmental

Operating Temperature	-40°C to +60°C
Storage Temperature	-45C to +65
Front Infrared Lens Sealing	IP67
External Coating	DLC