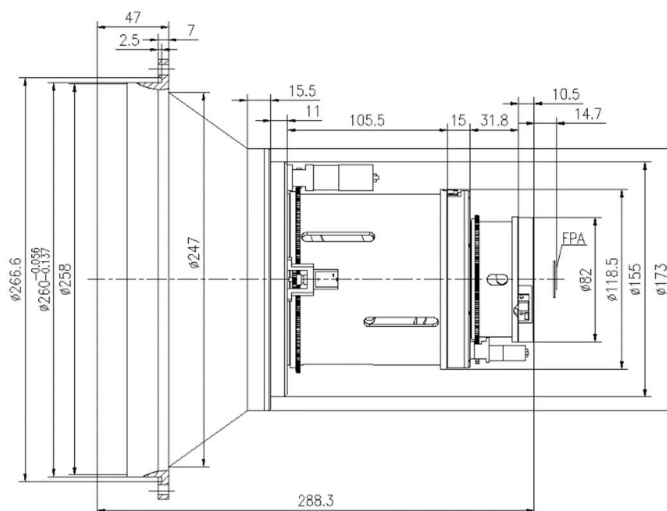


## GCZ103013DT 30-300mm f/0.85-1.3 Continuous Zoom Infrared Lens



HFOV	160x120	320x240	336x256	384x288	640x480	640x512	1024x768	1280x1024
25μm	0.8°-7.6°	1.5°-15.2°	1.6°-15.9°	1.8°-18.2°				
17μm	0.5°-5.2°	1°-10.4°	1.1°-10.9°	1.2°-12.4°	2.1°-20.6°	2.1°-20.6°		
12μm	0.4°-3.7°	0.7°-7.3°	0.8°-7.7°	0.9°-8.8°	1.5°-14.6°	1.5°-14.6°		

### Optical

Focal Length(mm)	30-300, 10X continuous zoom
F/#	0.85-1.3
Detector	640x512, 17μm
Wavelength	8-12μm
Format	Ø14

### Mechanical

Focus Mechanism	Motorized
Dimensions (mm)	Ø266.6x288.3
Weight	4kg

### Electrical & Communications

Power Input	DC 6-12V 0.15A
-------------	----------------

### Environmental

Operating Temperature	-55°C to +60°C
Storage Temperature	-60°C to +80°C
Front Infrared Lens Sealing	IP67
External Coating	DLC