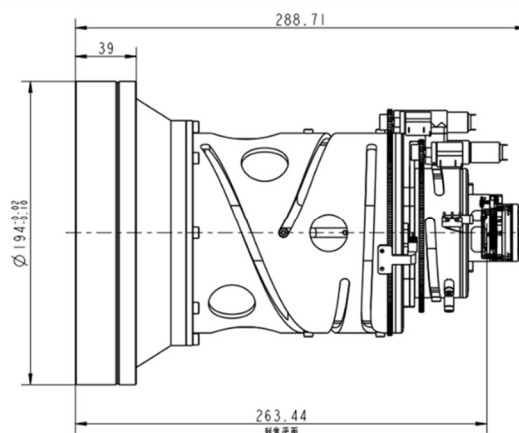
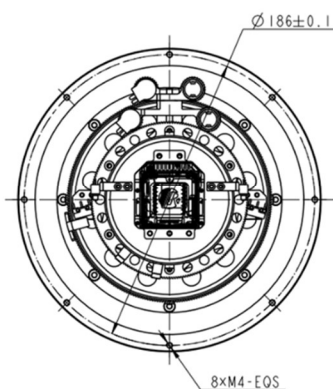
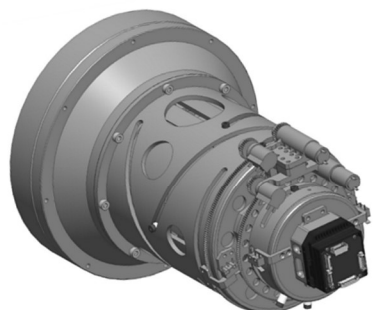


GCZ92513ZD 25-225mm f/0.92-1.3 Continuous Zoom Infrared Lens



HFOV	160x120	320x240	336x256	384x288	640x480	640x512	1024x768	1280x1024
25 μ m	1°-9.1°	2°-18.2°	2.1°-19.1°	2.4°-21.7°				
17 μ m	0.7°-6.2°	1.4°-12.4°	1.5°-13°	1.7°-14.9°	2.8°-24.6°	2.8°-24.6°		
12 μ m	0.5°-4.4°	1°-8.8°	1°-9.2°	1.2°-10.5°	2°-17.5°	2°-17.5°		

Optical

Focal Length(mm)	25-225mm
F/#	0.92-1.3
Detector	640x512, 17 μ m
Wavelength	8-14 μ m
Focus Range	20m-Infinity

Mechanical

Interface	Flange
Focus Mechanism	Motorized
Dimensions (mm)	$\varnothing 194 \times 263.44$
Weight	4.4kg

Electrical & Communications

Power Input	DC12V 0.15A
Communications	Optional

Environmental

Operating Temperature	-40°C to +60°C
Storage Temperature	-45C to +65
Front Infrared Lens Sealing	IP67
External Coating	DLC