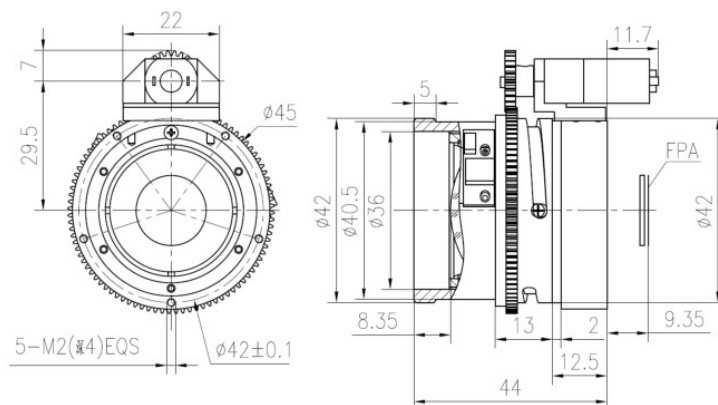


## Motorized Infrared Lens

### GLE2510E3 25mm f/1.0 Motorized Infrared Lens



| HFOV | 160x120 | 320x240 | 336x256 | 384x288 | 640x480 | 640x512 | 1024x768 | 1280x1024 |
|------|---------|---------|---------|---------|---------|---------|----------|-----------|
| 25μm | 9.1 °   | 18.2 °  | 19.1 °  | 21.7 °  |         |         |          |           |
| 17μm | 6.2 °   | 12.4 °  | 13.0 °  | 14.9 °  | 24.6 °  | 24.6 °  |          |           |
| 12μm | 4.4 °   | 8.8 °   | 9.2 °   | 10.5 °  | 17.5 °  | 17.5 °  |          |           |

#### Optical

|              |               |
|--------------|---------------|
| Focal Length | 25mm          |
| F/#          | 1.0           |
| Detector     | 640x512, 17μm |
| Wavelength   | 8-12μm        |
| Focus Range  | 0.3m-Infinity |
| Format       | Ø14           |

#### Mechanical

|                 |           |
|-----------------|-----------|
| Interface       | Flange    |
| Focus Mechanism | Motorized |
| Dimensions (mm) | Ø42x44    |
| Weight          | <113g     |

#### Electrical & Communications

|                |               |
|----------------|---------------|
| Power Input    | DC 6-12V 0.1A |
| Communications | NA            |

#### Environmental

|                       |                |
|-----------------------|----------------|
| Operating Temperature | -40°C to +60°C |
| Storage Temperature   | -40°C to +80°C |
| Front Element Sealing | IP67           |
| External Coating      | DLC/AR         |