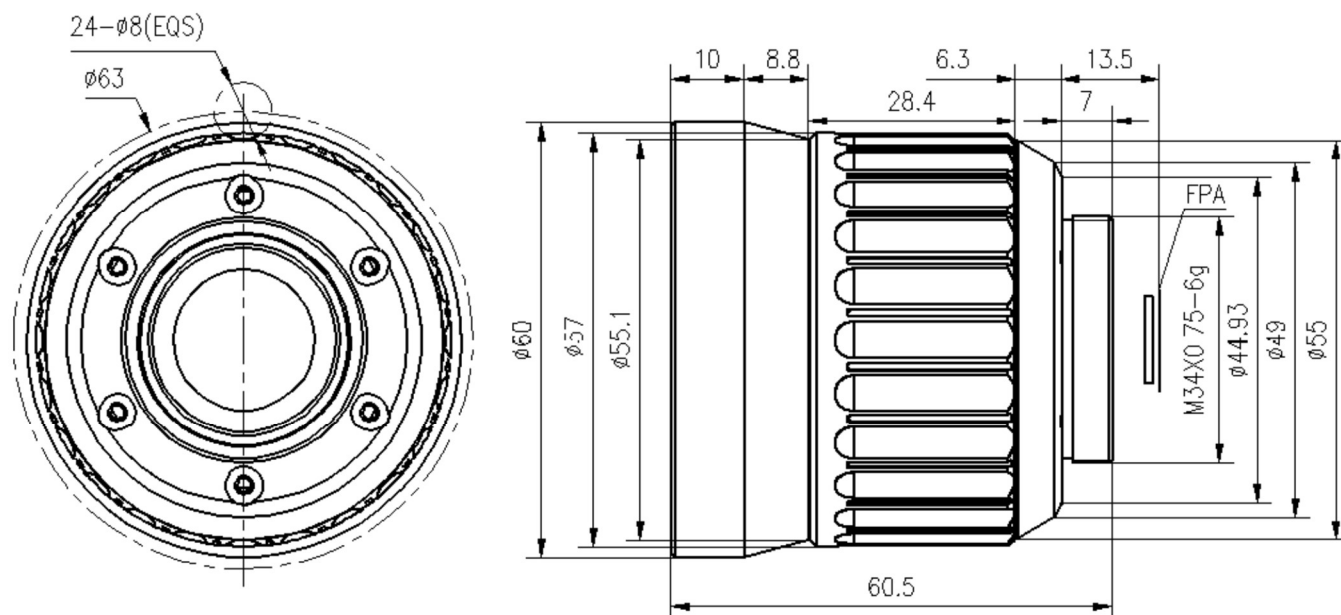


GLM5010DM10 50mm f/1.0 Manual Infrared Lens



HFOV	160x120	320x240	336x256	384x288	640x480	640x512	1024x768	1280x1024
25μm	4.6°	9.1°	9.6°	11.0°				
17μm	3.1°	6.2°	6.5°	7.5°	12.4°	12.4°		
12μm	2.2°	4.4°	4.6°	5.3°	8.8°	8.8°		

Optical

Focal Length	50mm
F/#	1.0
Detector	640x512, 17μm
Wavelength	8-12μm
Focus Range	3m-Infinity
Format	Ø14

Mechanical

Interface	Thread
Focus Mechanism	Manual
Dimensions (mm)	Ø60x 60.5
Weight	<225g

Environmental

Operating Temperature	-40°C to +60°C
Storage Temperature	-45°C to +65°C
Front Element Sealing	IP67
External Coating	DLC