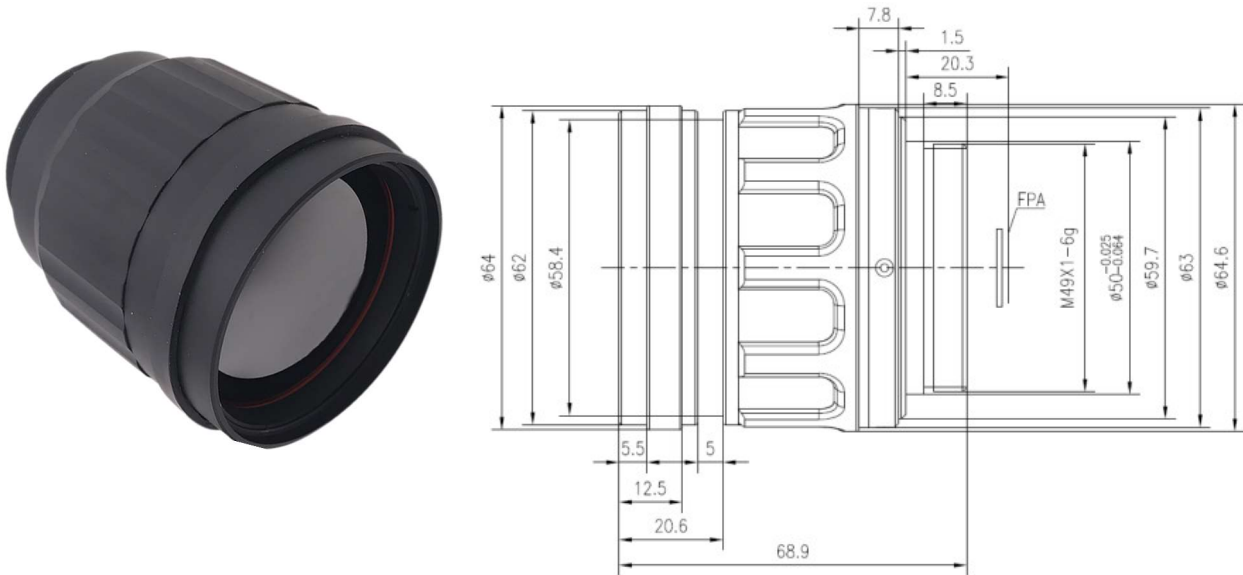


## GLM5010SD 50mm f/1.0 Manual Infrared Lens



HFOV	160x120	320x240	336x256	384x288	640x480	640x512	1024x768	1280x1024
25μm	4.6 °							
17μm	3.1 °	6.2 °	6.5 °	7.5 °				
12μm	2.2 °	4.4 °	4.6 °	5.3 °				

### Optical

Focal Length	50mm
F/#	1.0
Detector	384X288, 17μm
Wavelength	8-12μm
Focus Range	3m-Infinity
Format	Ø8.2

### Mechanical

Interface	Thread
Focus Mechanism	Manual
Dimensions (mm)	Ø64x68.9
Weight	<290g

### Environmental

Operating Temperature	-40°C to +60°C
Storage Temperature	-40°C to +80°C
Front Element Sealing	IP67
External Coating	DLC