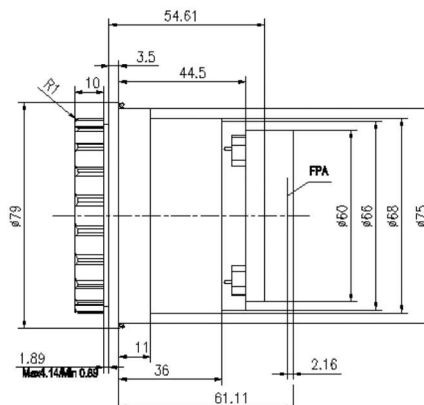
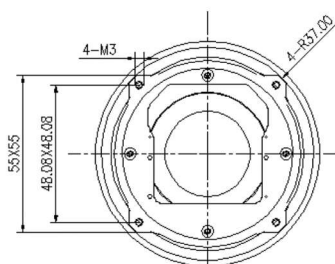


GLM4208D 42mm f/0.8 Manual Infrared Lens



HFOV	160x120	320x240	336x256	384x288	640x480	640x512	1024x768	1280x1024
25μm	5.5 °	10.9 °	11.4 °	13.0 °				
17μm	3.7 °	7.4 °	7.8 °	8.9 °	14.8 °	14.8 °		
12μm	2.6 °	5.2 °	5.5 °	6.3 °	10.4 °	10.4 °		

Optical

Focal Length	42mm
F/#	0.8
Detector	640X512, 17μm
Wavelength	8-12μm
Focus Range	2m-Infinity
Format	Ø14

Mechanical

Interface	Thread
Focus Mechanism	Manual
Dimensions (mm)	Ø79x66.5
Weight	401g

Environmental

Operating Temperature	-40°C to +60°C
Storage Temperature	-40°C to +80°C
Front Element Sealing	IP67
External Coating	DLC