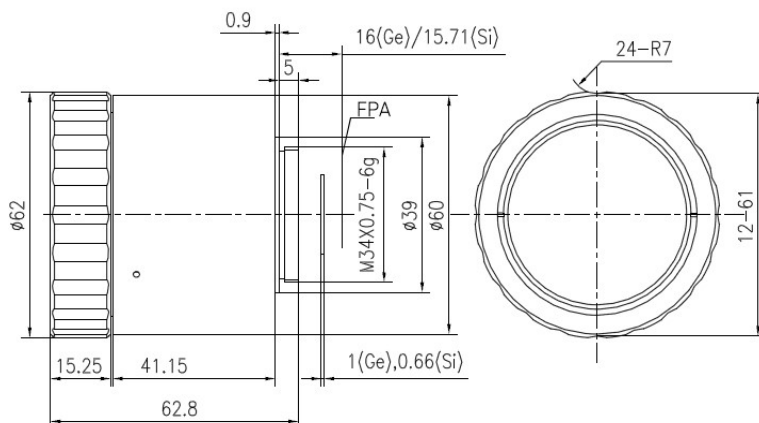


## GLM4010D 40mm f/1.0 Manual Infrared Lens



HFOV	160x120	320x240	336x256	384x288	640x480	640x512	1024x768	1280x1024
25μm	5.7 °	11.4 °	12.0 °	13.7 °				
17μm	3.9 °	7.8 °	8.2 °	9.3 °	15.5 °	15.5 °		
12μm	2.7 °	5.5 °	5.8 °	6.6 °	11.0 °	11.0 °		

### Optical

Focal Length	40mm
F/#	1.0
Detector	640X512, 17μm
Wavelength	8-12μm
Focus Range	1m-Infinity
Format	Ø14

### Mechanical

Interface	Thread
Focus Mechanism	Manual
Dimensions (mm)	Ø62x62.8
Weight	<295g

### Environmental

Operating Temperature	-40°C to +60°C
Storage Temperature	-40°C to +80°C
Front Element Sealing	IP67
External Coating	DLC