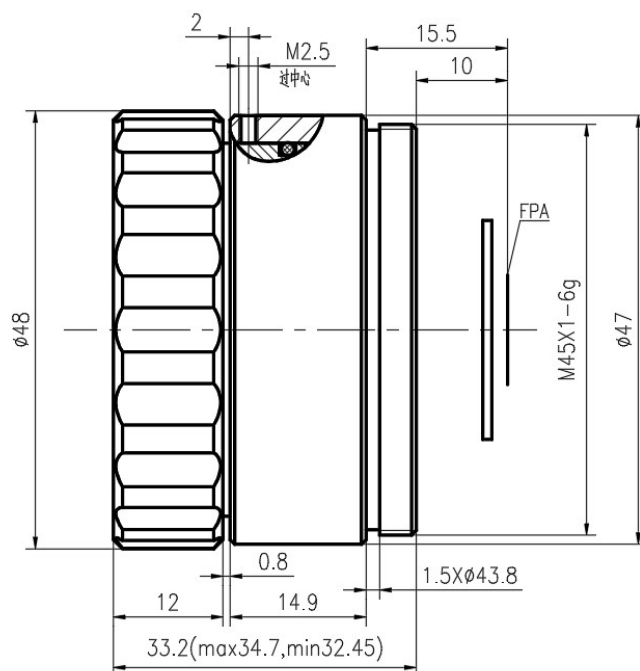


## GLM2510KA 25mm f/1.0 Manual Infrared Lens



HFOV	160x120	320x240	336x256	384x288	640x480	640x512	1024x768	1280x1024
25μm	9.1 °	18.2 °	19.1 °	21.7 °				
17μm	6.2 °	12.4 °	13.0 °	14.9 °	24.6 °	24.6 °	38.4 °	
12μm	4.4 °	8.8 °	9.2 °	10.5 °	17.5 °	17.5 °	27.6 °	34.2 °

### Optical

Focal Length	25mm
F/#	1.0
Average Transmission	> 86%(AR)
Wave Length	8-14μm
Focus Range	1m-Infinity

### Mechanical

Interface	Thread
Focus Mechanism	Fixed Athermalized
Dimensions (mm)	L: 33.2 D: 48
Weight	140g

### Environmental

Sealing	IP 67
Operating Temperature	-40°C to +80°C
External Coating	AR