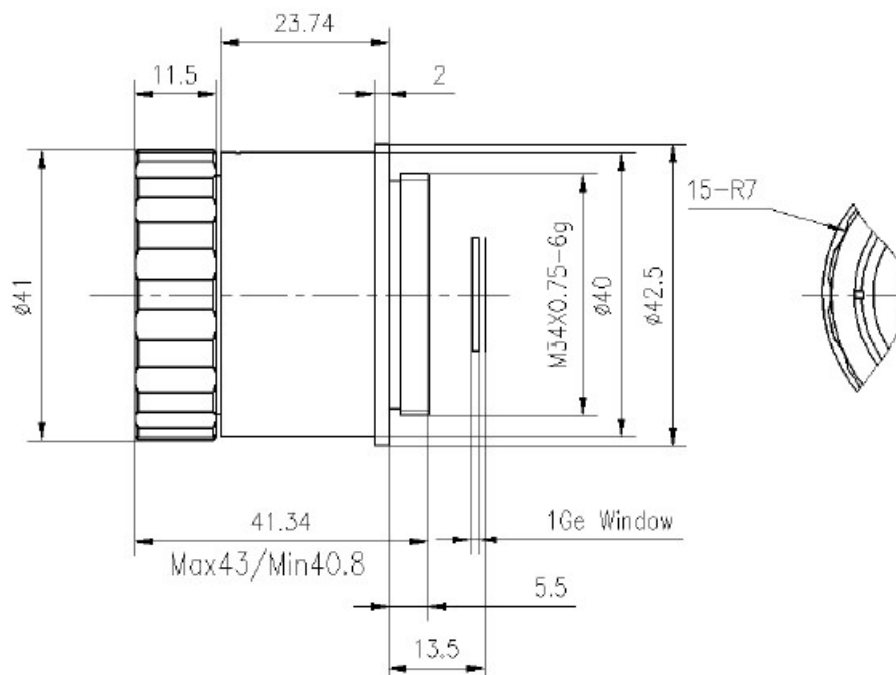


GLM2510TD 25mm f/1.0 Manual Infrared Lens



HFOV	160x120	320x240	336x256	384x288	640x480	640x512	1024x768	1280x1024
25 μ m		18.2 °		21.7 °				
17 μ m			13.0 °	14.9 °		24.6 °		

Optical

Focal Length	25mm
F/#	1.0
Detector	640X512, 17 μ m
Wavelength	8-12 μ m
Focus Range	0.3m-Infinity
Format	\varnothing 14

Mechanical

Interface	Thread
Focus Mechanism	Manual
Dimensions (mm)	\varnothing 41x41.34
Weight	<110g

Environmental

Operating Temperature	-40°C to +60°C
Storage Temperature	-40°C to +80°C
Front Element Sealing	IP67
External Coating	DLC