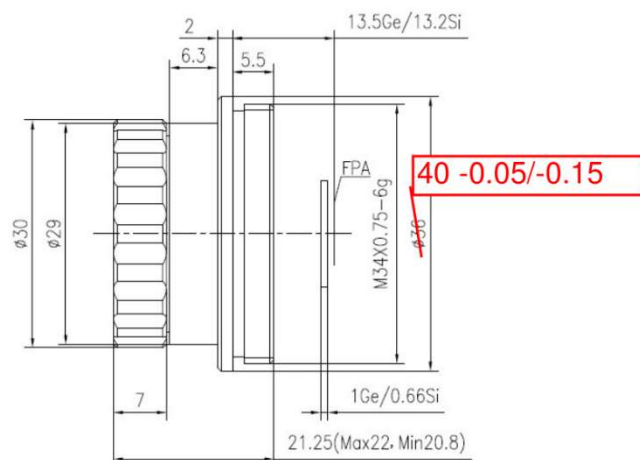


## GLM1010SA-3 10mm f/1.0 Manual Infrared Lens



HFOV	160x120	320x240	336x256	384x288	640x480	640x512	1024x768	1280x1024
25 $\mu$ m								
17 $\mu$ m	15.5 °	30.4 °	31.9 °	36.2 °				
12 $\mu$ m	11.0 °	21.7 °	22.8 °	25.9 °				

### Optical

Focal Length	10mm
F/#	1.0
Detector	384x288, 17 $\mu$ m
Wavelength	8-12 $\mu$ m
Focus Range	0.3m-Infinity
Format	Ø9.6

### Mechanical

Interface	Thread
Focus Mechanism	Optical Athermalized / Manual
Dimensions (mm)	Ø30x21.25
Weight	<36g

### Environmental

Operating Temperature	-40°C to +60°C
Storage Temperature	-40°C to +80°C
Front Element Sealing	IP67
External Coating	AR