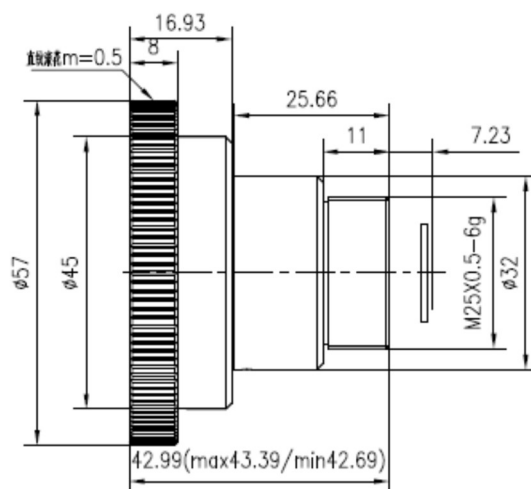


## GLM05310SA 5.3mm f/1.0 Manual Infrared Lens



HFOV	160x120	320x240	336x256	384x288	640x480	640x512	1024x768	1280x1024
25 $\mu$ m		74.1 °		84.3 °				
17 $\mu$ m	28.8 °	54.3 °	56.6 °	63.3 °				
12 $\mu$ m	20.5 °	39.8 °	41.7 °	47.0 °				

### Optical

Focal Length	5.3 mm
F/#	1.0
Detector	384x288, 17 $\mu$ m
Wavelength	8-12 $\mu$ m
Focus Range	0.3m-Infinity
Format	$\varnothing$ 12

### Mechanical

Interface	Thread
Focus Mechanism	Manual
Dimensions (mm)	$\varnothing$ 57x42.99
Weight	<95g

### Environmental

Operating Temperature	-40°C to +60°C
Storage Temperature	-40°C to +80°C
Front Element Sealing	IP67
External Coating	AR