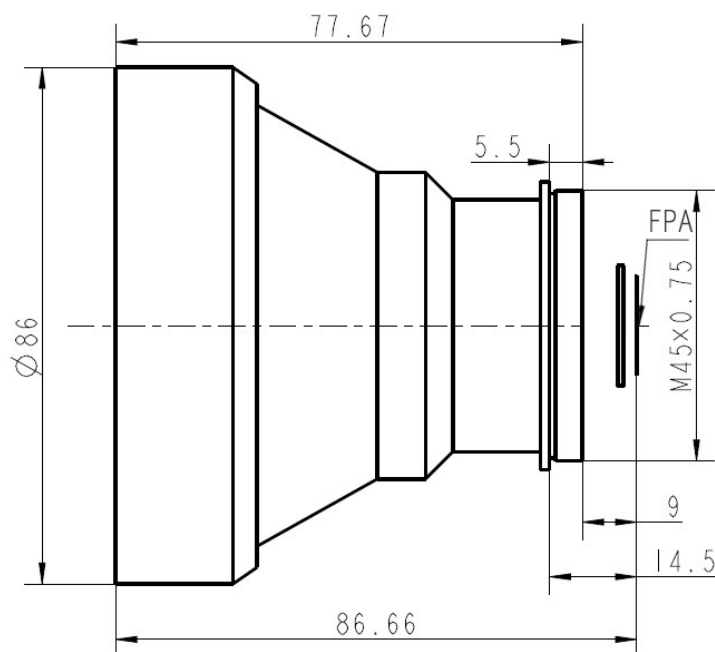


GLA7510ZKD 75mm f/1.0 Optical Athermalized Infrared Lens



HFOV	160x120	320x240	336x256	384x288	640x480	640x512	1024x768	1280x1024
25μm	3.1 °	6.1 °	6.4 °	7.3 °				
17μm	2.1 °	4.2 °	4.4 °	5.0 °	8.3 °	8.3 °	13.2 °	
12μm	1.5 °	2.9 °	3.1 °	3.5 °	5.9 °	5.9 °	9.4 °	
10μm								9.8 °

Optical

Focal Length	75mm
F/#	1.0
Average Transmission	≥85%
Detector	1280x1024, 17μm
Wavelength	8-12μm

Mechanical

Interface	Thread M45X0.75
Focus Mechanism	Fixed Athermalized
Dimensions (mm)	Ø73x84
Weight	396g

Environmental

Sealing	IP 67
Operating Temperature	-40°C to +80°C
Storage Temperature	-50°C to +85°C
External Coating	DLC