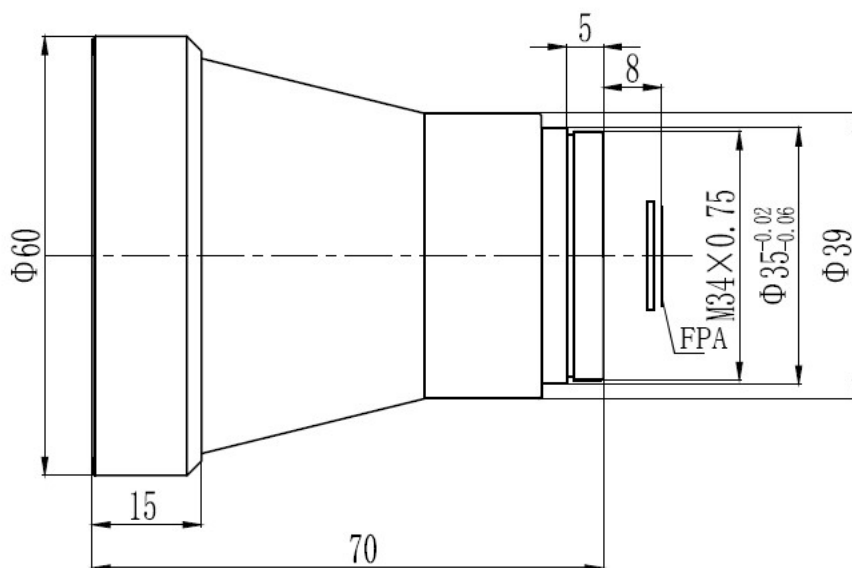


## GLA6012YA 60mm f/1.2 Optical Athermalized Infrared Lens



HFOV	160x120	320x240	336x256	384x288	640x480	640x512	1024x768	1280x1024
25 $\mu$ m	3.8°	7.6°	8.0°	9.1°				
17 $\mu$ m	2.6°	5.2°	5.5°	6.2°	10.4°	10.4°		
12 $\mu$ m	1.8°	3.7°	3.8°	4.4°	7.3°	7.3°		

### Optical

Focal Length	60mm
F/#	1.2
Detector	640x512, 17 $\mu$ m
Wavelength	8-12 $\mu$ m
Focus Range	1.5m-Infinity

### Mechanical

Interface	M34X0.75
Focus Mechanism	Fixed Athermalized
Dimensions (mm)	Ø60x70
Weight	<260g

### Environmental

Sealing	IP 67
Operating Temperature	-40°C to +80°C
Storage Temperature	-50°C to +85°C
External Coating	AR