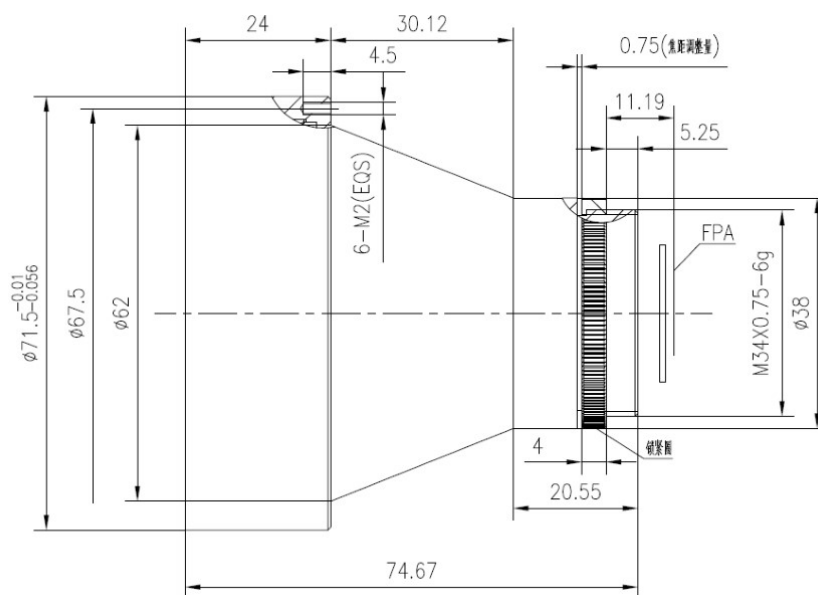


GLA6010D 60mm f/1.0 Optical Athermalized Infrared Lens



HFOV	160x120	320x240	336x256	384x288	640x480	640x512	1024x768	1280x1024
25μm	3.8°	7.6°	8.0°	9.1°				
17μm	2.6°	5.2°	5.5°	6.2°	10.4°	10.4°		
12μm	1.8°	3.7°	3.8°	4.4°	7.3°	7.3°		

Optical

Focal Length	60mm
F/#	1.0
Format	Ø14

Mechanical

Interface	M34X0.75
Focus Mechanism	Fixed Athermalized
Dimensions (mm)	Ø71.5x74.67
Weight	<240g

Environmental

Sealing	IP 67
Operating Temperature	-40°C to +80°C
External Coating	DLC