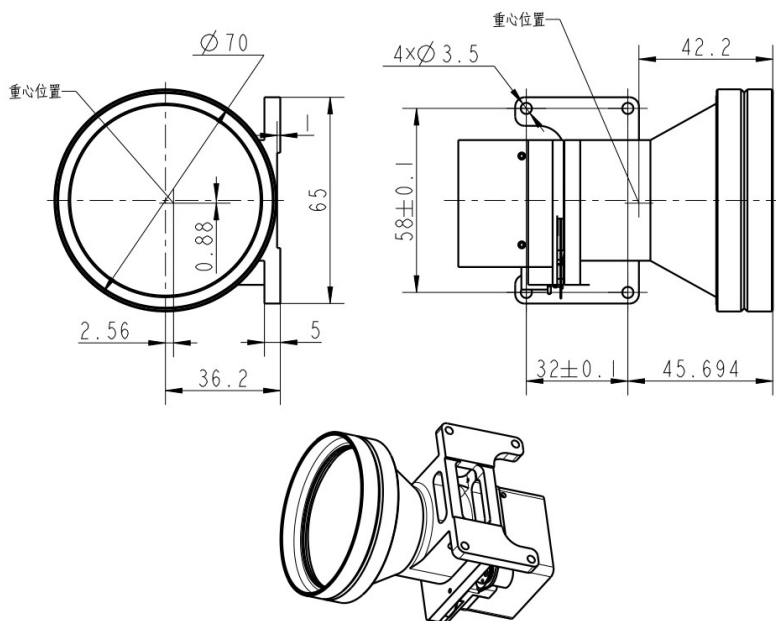


## GLA6010ZSA 60mm f/1.0 Optical Athermalized Infrared Lens



HFOV	160x120	320x240	336x256	384x288	640x480	640x512	1024x768	1280x1024
25μm	3.8 °							
17μm	2.6 °	5.2 °	5.5 °	6.2 °				
12μm	1.8 °	3.7 °	3.8 °	4.4 °				

### Optical

Focal Length	60mm
F/#	1.0
Detector	384x288,17μm
Wavelength	8-12μm
Focus Range	10m-Infinity

### Mechanical

Interface	Thread
Focus Mechanism	Fixed Athermalized
Dimensions (mm)	Ø70x77.7
Weight	340g

### Environmental

Sealing	IP 67
Operating Temperature	-40°C to +80°C
External Coating	AR