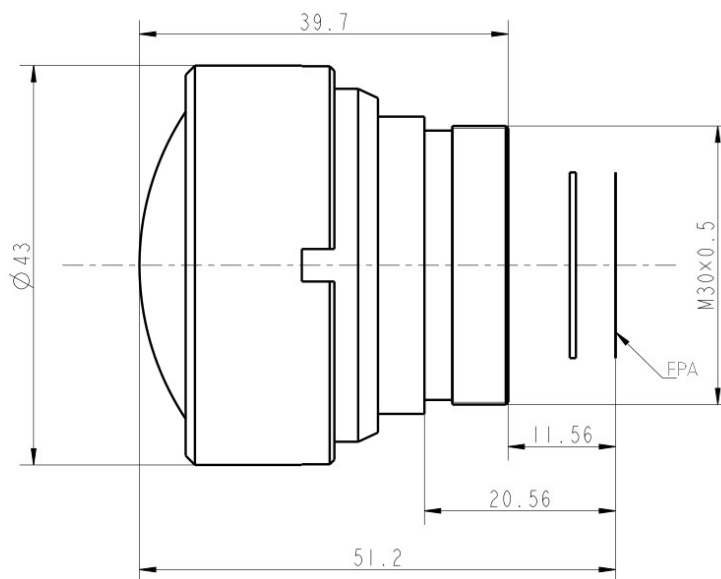


GLA4512ZA 45mm f/1.2 Optical Athermalized Infrared Lens



HFOV	160x120	320x240	336x256	384x288	640x480	640x512	1024x768	1280x1024
25μm	5.1 °	10.2 °	10.7 °	12.2 °				
17μm	3.5 °	6.9 °	7.3 °	8.3 °	13.8 °	13.8 °		
12μm	2.4 °	4.9 °	5.1 °	5.9 °	9.8 °	9.8 °		

Optical

Focal Length	45mm
F/#	1.2
Average Transmittance	≥85%
Detector	640x512, 17μm
Wavelength	8-12μm
BWD(Back Work Distance)	12.53mm

Mechanical

Interface	Thread
Focus Mechanism	Fixed Athermalized
Dimensions (mm)	Ø43x39.64
Weight	86g

Environmental

Sealing	IP 67
Operating Temperature	-40°C to +80°C
External Coating	AR