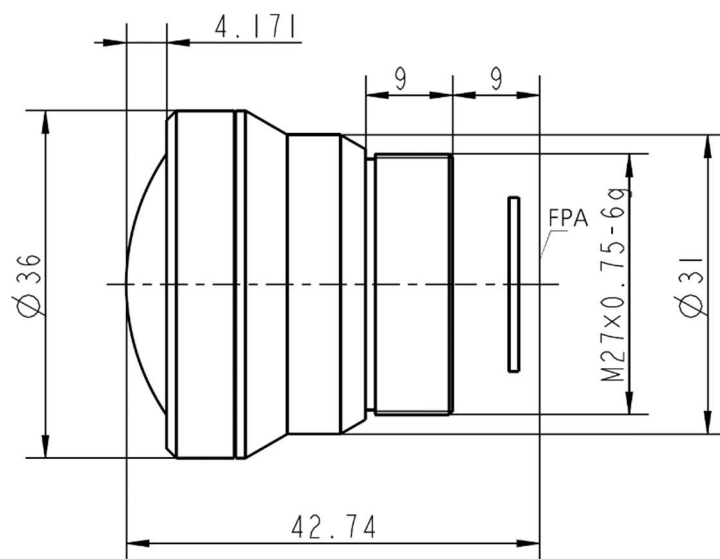


GLA3512ZA 35mm f/1.2 Athermalized Infrared Lens



HFOV	160x120	320x240	336x256	384x288	640x480	640x512	1024x768	1280x1024
25μm	6.5 °	13.0 °	13.7 °	15.6 °				
17μm	4.5 °	8.9 °	9.3 °	10.7 °	17.7 °	17.7 °		
12μm	3.1 °	6.3 °	6.6 °	7.5 °	12.5 °	12.5 °		

Optical

Focal Length(mm)	35
F/#	1.2
Detector	640X512, 17μm
Wavelength	8-12μm

Mechanical

Interface	Thread
Focus Mechanism	Fixed Athermalized
Dimensions (mm)	Ø36x33.74
Weight	52g

Environmental

Sealing	IP 67
Operating Temperature	-40°C to +60°C
Storage Temperature	-60°C to +110°C
External Coating	AR