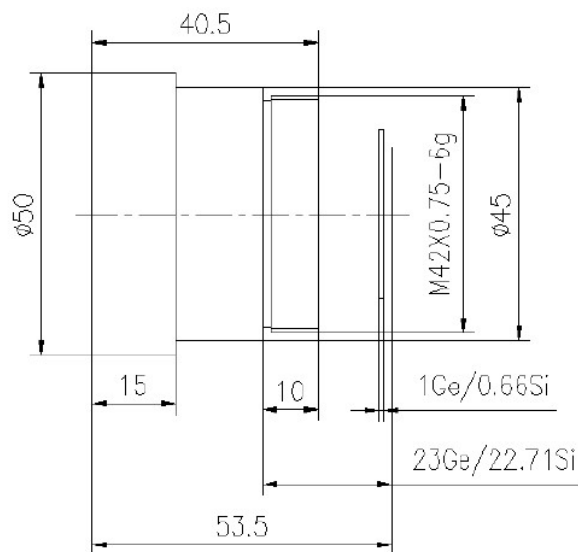


## GLA3010KD 30mm f/1.0 Optical Athermalized Infrared Lens



HFOV	160x120	320x240	336x256	384x288	640x480	640x512	1024x768	1280x1024
25 $\mu$ m	7.6 °	15.2 °		18.2 °		29.9 °		
17 $\mu$ m			10.9 °	12.4 °	20.6 °	20.6 °		
12 $\mu$ m						14.6 °	2.3 °	

### Optical

Focal Length	30mm
F/#	1.0
Average transmittance	86%
Detector	640x512, 17 $\mu$ m(1024-12 $\mu$ m, 14 $\mu$ m Compatible)
Wavelength	8-14 $\mu$ m
Focus Range	3m-Infinite
Format	$\varnothing 20$

### Mechanical

Interface	Thread
Focus Mechanism	Fixed Athermalized
Dimensions (mm)	$\varnothing 50 \times 40.5$
Weight	<185g

### Environmental

Sealing	IP 67
Operating Temperature	-40°C to +60°C
External Coating	DLC