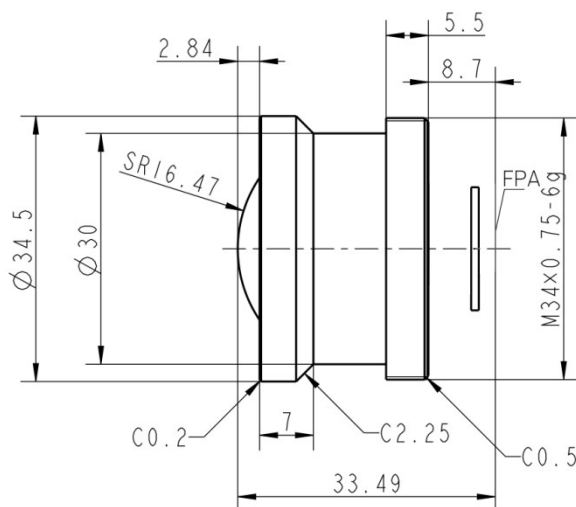


GLA2510ZA 25mm f/1.0 Optical Athermalized Infrared Lens



| HFOV | 160x120 | 320x240 | 336x256 | 384x288 | 640x480 | 640x512 | 1024x768 | 1280x1024 |
|------------|---------|---------|---------|---------|---------|---------|----------|-----------|
| 25 μ m | 9.1° | 18.2° | 19.1° | 21.7° | | | | |
| 17 μ m | 6.2° | 12.4° | 13.0° | 14.9° | 24.6° | 24.6° | | |
| 12 μ m | 4.4° | 8.8° | 9.2° | 10.5° | 17.5° | 17.5° | | |

Optical

| | |
|--------------|---------------------|
| Focal Length | 25mm |
| F/# | 1.0 |
| Detector | 640x512, 17 μ m |
| Wavelength | 8-12 μ m |

Mechanical

| | |
|-----------------|--------------------|
| Interface | Thread |
| Focus Mechanism | Fixed Athermalized |
| Dimensions (mm) | Ø34.5x24.79 |
| Weight | 33.5g |

Environmental

| | |
|-----------------------|----------------|
| Sealing | IP 67 |
| Operating Temperature | -40°C to +80°C |
| External Coating | AR |