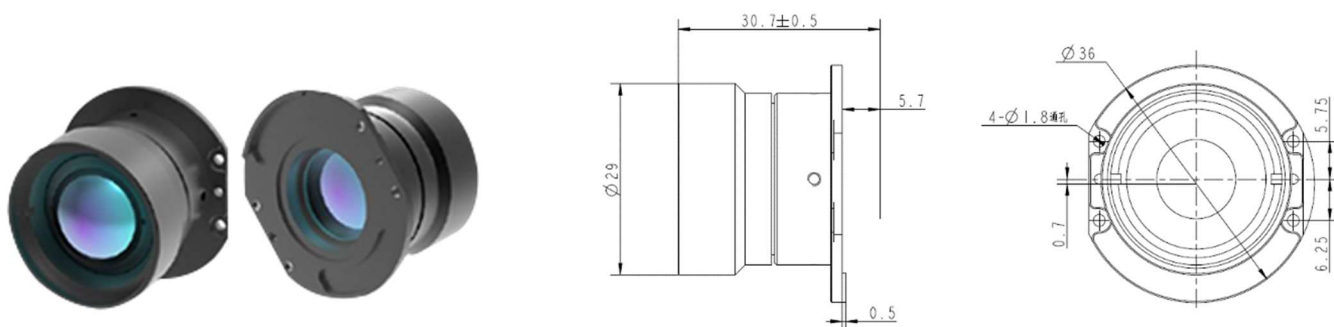


GLA2011ZA 20mm f/1.1 Optical Athermalized Infrared Lens



HFOV	160x120	320x240	336x256	384x288	640x480	640x512	1024x768	1280x1024
25µm	11.4 °	22.6 °	23.7 °	27.0 °				
17µm	7.8 °	15.5 °	16.3 °	18.5 °	30.4 °	30.4 °		
12µm	5.5 °	11.0 °	11.5 °	13.1 °	21.7 °	21.7 °		

Optical

Focal Length	20mm
F/#	1.1
Average transmittance	≥90%
Detector	640x512, 17µm
Wavelength	8-12µm
BWD(Back Work Distance)	9.44mm

Mechanical

Interface	Thread
Focus Mechanism	Fixed Athermalized
Dimensions (mm)	Ø29x25

Environmental

Sealing	IP 67
Operating Temperature	-40°C to +80°C
External Coating	AR