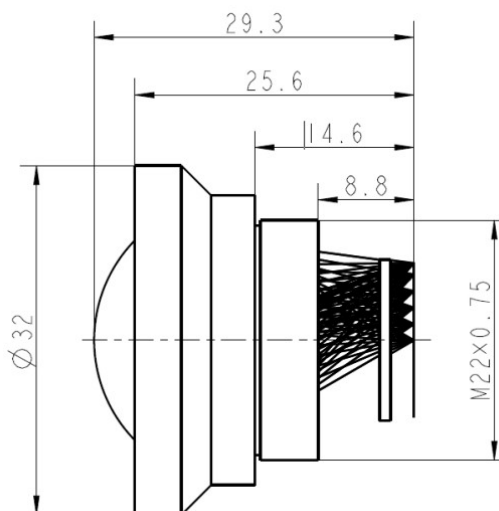


## GLA2010ZA 20mm f/1.0 Optical Athermalized Infrared Lens



HFOV	160x120	320x240	336x256	384x288	640x480	640x512	1024x768	1280x1024
25 $\mu$ m	11.4 °	22.6 °	23.7 °	27.0 °				
17 $\mu$ m	7.8 °	15.5 °	16.3 °	18.5 °	30.4 °	30.4 °		
12 $\mu$ m	5.5 °	11.0 °	11.5 °	13.1 °	21.7 °	21.7 °		

### Optical

Focal Length	20mm
F/#	1.0
Detector	640x512, 17 $\mu$ m
Wavelength	8-12 $\mu$ m
Average Transmittance	≥90%
BWD (Back Work Distance)	9.44mm

### Mechanical

Interface	Thread(Optional M22x0.75 or M34x0.75)
Focus Mechanism	Fixed Athermalized
Dimensions (mm)	Ø32x20.5
Weight	≤30g

### Environmental

Sealing	IP 67
Operating Temperature	-40°C to +60°C
External Coating	AR