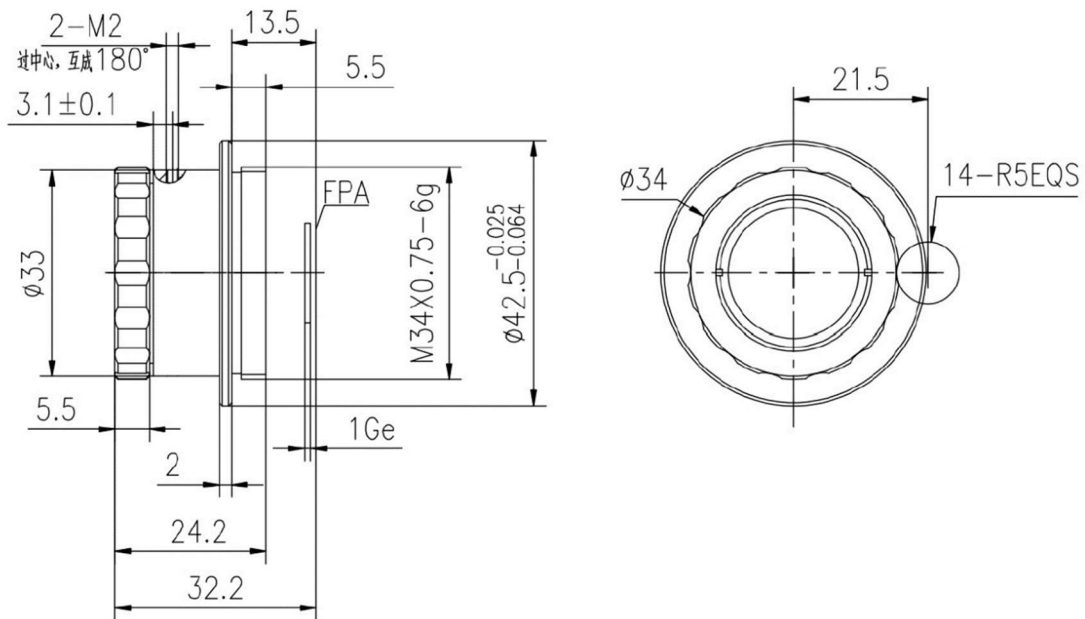


## GLA1510A 15mm f/1.0 Optical Athermalized Infrared Lens



HFOV	160x120	320x240	336x256	384x288	640x480	640x512	1024x768	1280x1024
25μm	15.2 °	29.9 °						
17μm	10.4 °	20.6 °	21.6 °	24.6 °	39.9 °	39.9 °		
12μm	7.3 °	14.6 °	15.3 °	17.5 °	28.7 °	28.7 °		

### Optica

Focal Length	15mm
F/#	1.0
Detector	640x512, 17μm
Wavelength	8-12μm
Format	Ø14

### Mechanical

Interface	Thread
Focus Mechanism	Fixed Athermalized
Dimensions (mm)	Ø33.0(Max.42.5) x 24.2
Weight	<50g

### Environmental

Sealing	IP 67
Operating Temperature	-40°C to +80°C
External Coating	AR