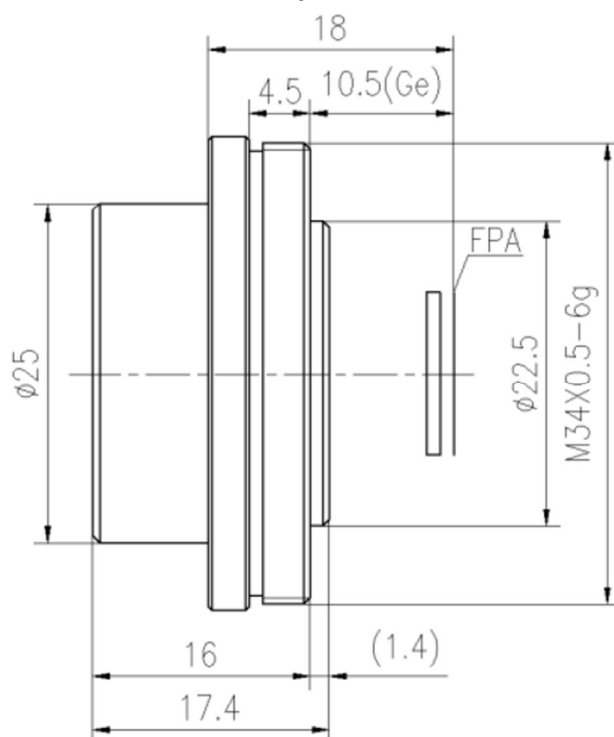


GLA06125A 6mm f/1.25 Optical Athermalized Infrared Lens



HFOV	160x120	320x240	336x256	384x288	640x480	640x512	1024x768	1280x1024
20 μ m	29.9 °	56.1 °	58.5 °	65.2 °				
17 μ m	25.5 °	48.8 °	50.9 °	57.1 °				
12 μ m	18.2 °	35.5 °	37.1 °	42.0 °				

Optical

Focal Length	6mm
F/#	1.25
Detector	384x288, 17 μ m
Format	Ø8.2

Mechanical

Interface	Thread
Focus Mechanism	Fixed Athermalized
Dimensions (mm)	Ø34x17.4
Weight	<27g

Environmental

Sealing	IP 67
Operating Temperature	-40°C to +80°C
External Coating	AR