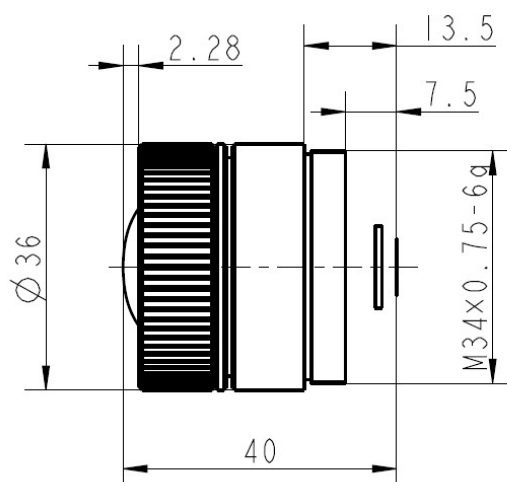


## GLA0411ZSA 4mm f/1.1 Optical Athermalized Infrared Lens



HFOV	160x120	320x240	336x256	384x288	640x480	640x512	1024x768	1280x1024
17μm	37.6 °	68.4 °	71.1 °	78.4 °				
12μm	27.0 °	51.3 °	53.5 °	59.9 °				

### Optical

Focal Length	4mm
F/#	1.1
Detector	384x288, 17μm
Wavelength	8-12μm
Focus Range	0.5m-Infinity

### Mechanical

Interface	Thread
Focus Mechanism	Fixed Athermalized
Dimensions (mm)	Ø36x40
Weight	76g

### Environmental

Sealing	IP 67
Operating Temperature	-40°C to +80°C
External Coating	AR