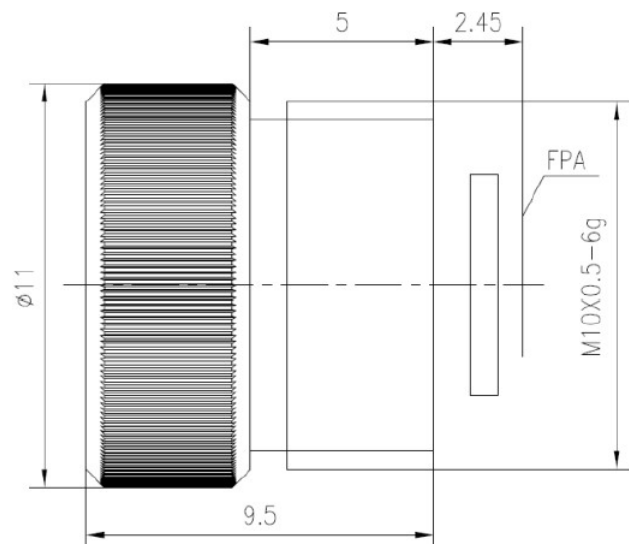


Athermalized Infrared Lens

GLA0310SA 3mm f/1.0 Optical Athermalized Infrared Lens



HFOV	80x80
34 μ m	45.0 °

Optical

Focal Length	3mm
F/#	1.0
Detector	80x80, 34 μ m
Wavelength	8-12 μ m

Mechanical

Interface	Thread
Focus Mechanism	Fixed Athermalized
Dimensions (mm)	$\varnothing 11 \times 9.5$
Weight	<3g

Coating

External Coating	AR
------------------	----