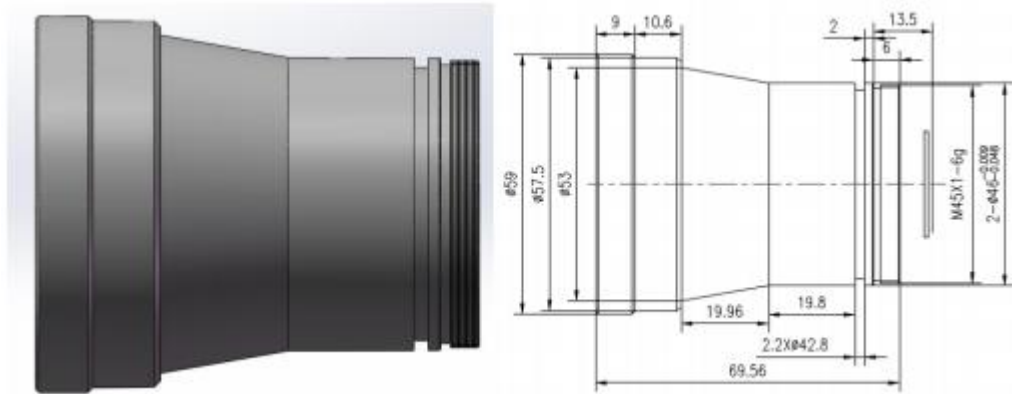


GLA5010K 50mm f/1.0 Optical Athermalized Infrared



HFOV	160x120	320x240	336x256	384x288	640x480	640x512	1024x768	1280x1024
25μm	4.6°	9.1°	9.6°	11.0°				
17μm	3.1°	6.2°	6.5°	7.5°	12.4°	12.4°		17.5°
12μm	2.2°	4.4°	4.6°	5.3°	8.8°	8.8°		

Optical

Focal Length	50mm
F/#	1.0
Wave length	8-12μm
Format	Ø19.7

Mechanical

Focus Mechanism	Fixed Athermalized
Dimensions (mm)	Ø69.56x 53
Weight	<188g

Environmental

Sealing	IP 67
Operating Temperature	-40°C to +60°C
Storage Temperature	-50°C to +85°C
External Coating	DLC