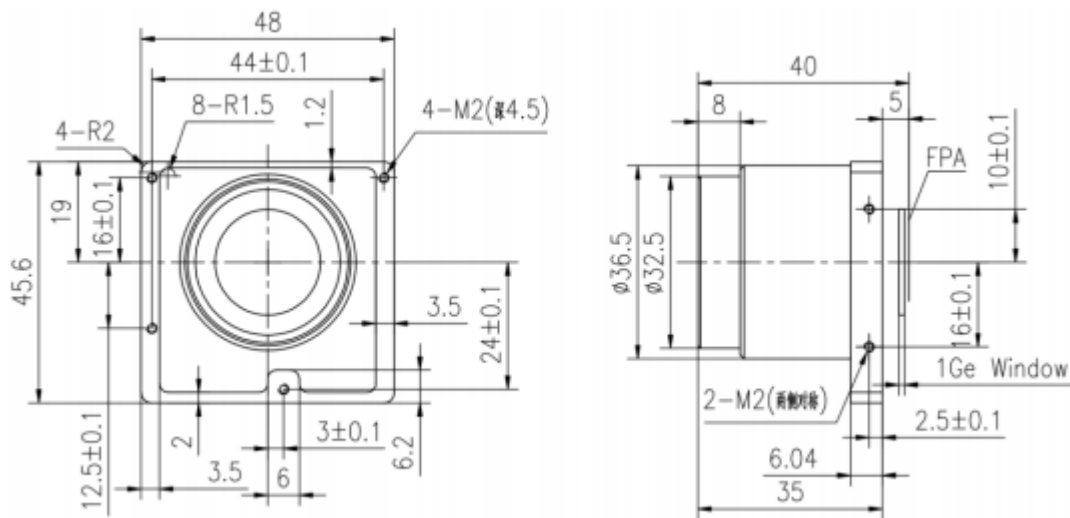


GLA2010K 20mm f/1.0 Optical Athermalized Infrared Lens



HFOV	160x120	320x240	336x256	384x288	640x480	640x512	1024x768	1280x1024
17μm	7.8°	15.5°	16.3°	18.5°	30.4°	30.4°		
14μm	6.4°	12.8°	13.4°	15.3°	25.3°	25.3°	39.4°	
12μm	5.5°	11.0°	11.5°	13.1°	21.7°	21.7°		

Optical

Focal Length	20mm
F/#	1.0
Detector	1024x768, 14μm
Wave length	8-14μm
Format	Ø17.8

Mechanical

Interface	Thread
Focus Mechanism	Fixed Athermalized
Dimensions (mm)	Ø48x 40
Weight	<95g

Environmental

Sealing	IP 67
Operating Temperature	-40°C to +80°C
External Coating	AR