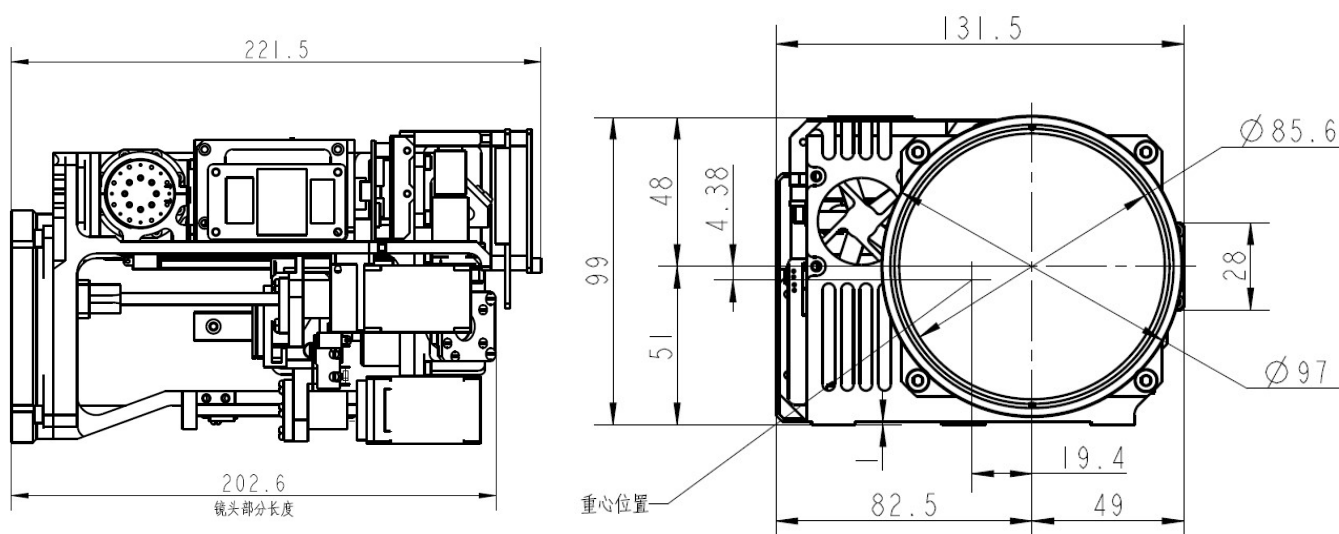


## GMZ23450ZA 23-450mm f/5.5 MWIR Continuous Zoom Infrared Lens



HFOV	160x120	320x240	336x256	384x288	640x480	640x512	1024x768	1280x1024
	15μm						1.2°-23.6°	

### Optical

Focal Length(mm)	23-450
F/#	5.5
Detector	640x512, 15μm
Wavelength	3.7-4.8μm

### Mechanical

Interface	Flange
Focus Mechanism	Motorized
Dimensions (mm)	Ø131.5x 221.5
Weight	2.6kg

### Electrical & Communications

Power Input	DC12V
Communications	NA

### Environmental

Operating Temperature	-40°C to +60°C
Storage Temperature	-40°C to +80°C
Front Infrared Lens Sealing	IP67
External Coating	AR